

# Series 3 Instrumentation

Affordable ¼ DIN temperature and high limit controllers for heating and cooling applications. Universal inputs with relay and analog outputs allow for multiple thermal processing applications.

## Temperature & Hi-Limit Controllers

UL Listed and CE Marked

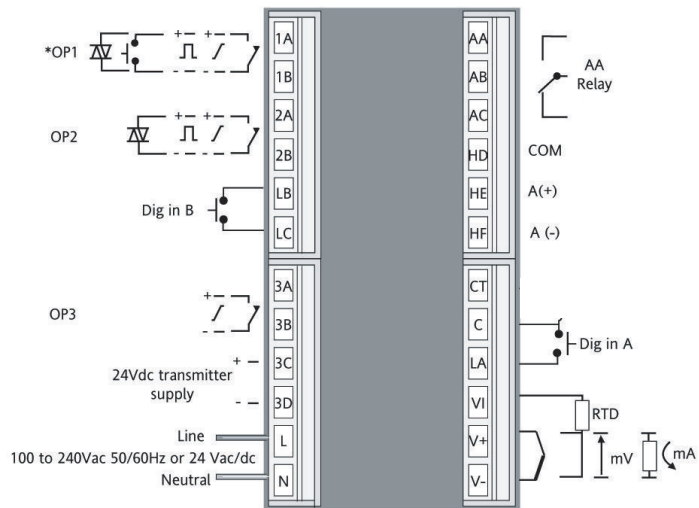
Calibration Accuracy:  $< \pm 0.25\%$  of reading  $\pm 1$ LSD  
 Thermocouple Types: K, J, N, R, S, B, L, T, C

SSi Series 3 (P/N: 31333)

- 1/4 DIN Temperature controller
- Universal analog input
- Two logic inputs
- Three relay outputs
- 4 - 20 mA control or retransmission
- RS 485 communications

SSi Series 3L (P/N: 31334) FM Approved

- 1/4 din High Limit controller
- Universal input
- One FM Relay
- Two alarm relay outputs
- RS 485 communications.



P/N: 31333

### Analog Output (P/N: 31333 Temperature Controller)

**OP3**  
 Rating: 0-20mA into  $< 500$   
 Accuracy:  $\pm$  ( $< 1\%$  of Reading +  $< 100$  A)  
 Resolution: 11.5 bits  
 Isolation: None from PV or system  
 264Vac double insulated from PSU and communications  
 Control outputs, retransmission

### Relay Output Channels (P/N: 31334 Hi-Limit)

Type: 2- Form A / 1 - Form C  
 Rating: Min 100mA@12vdc, Max 2A@264Vac resistive  
 Functions: Control outputs, alarms, events

INNOVATIVE SOLUTIONS WORLDWIDE



Super Systems  
 incorporated