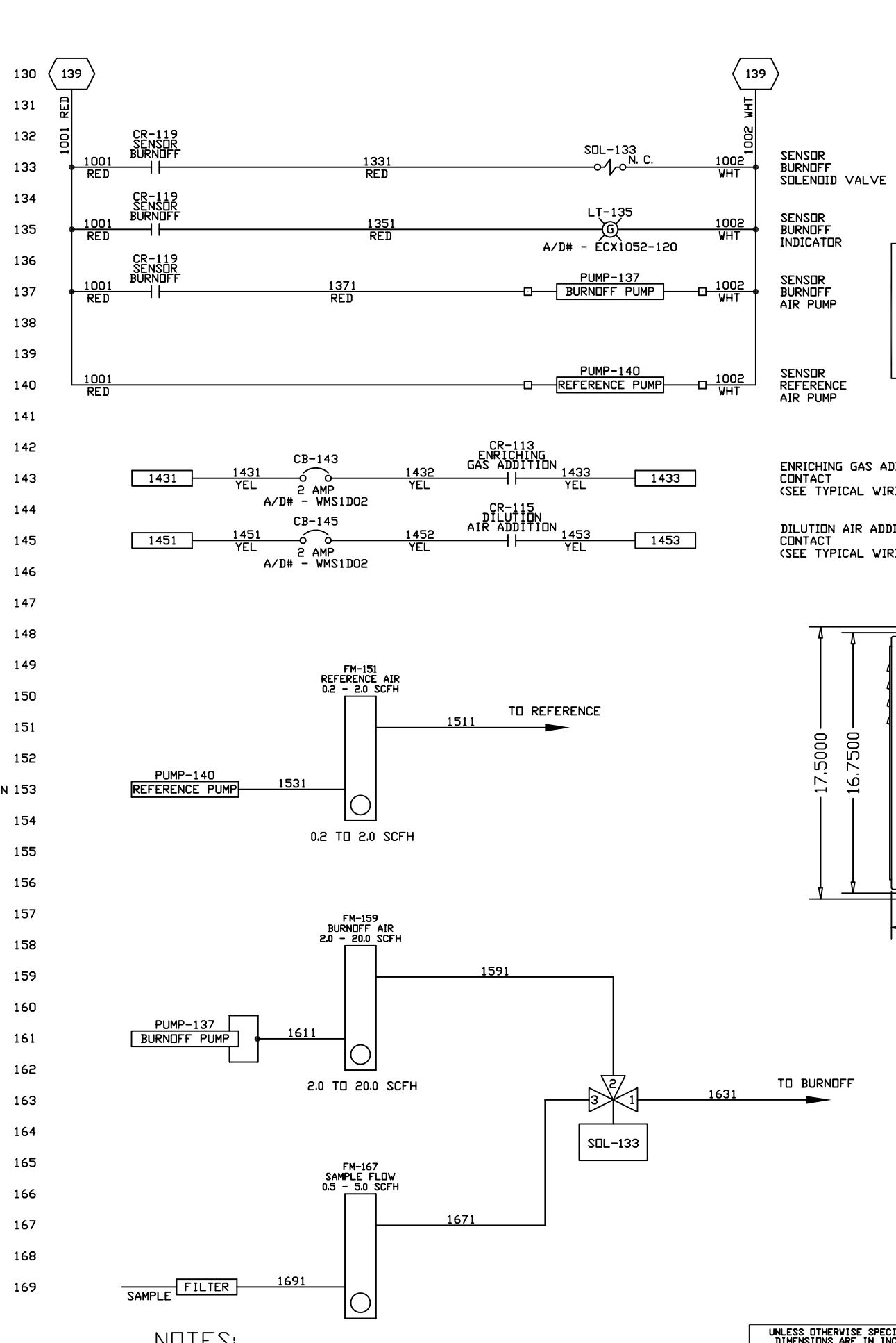


TYPICAL WIRING FOR ENRICHING GAS / DILUTION AIR ADDITION

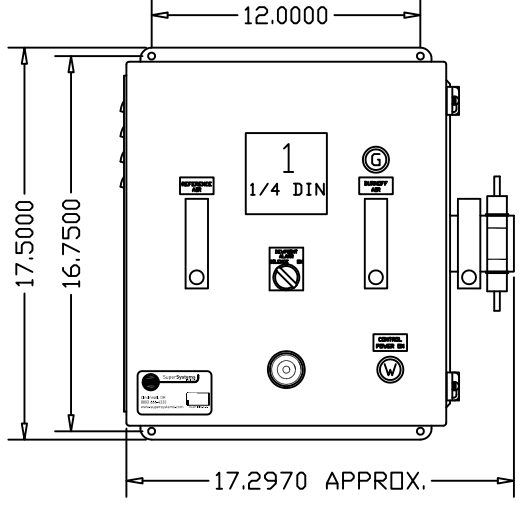


NOTES:

1. TERMINALS FOR BOTH PUMPS TO BE LOCATED ON SEPARATE DIN.
2. ALL WIRES CONNECTED TO TERMINALS 'L' AND 'N' TO HAVE AT LEAST 3' OF SLACK.

OR □ DENOTES TERMINAL BLOCK

ENCLOSURE SPECIFICATIONS	
INPUT VOLTAGE	120 VAC
MAXIMUM CURRENT	0.6 AMPS
ENCLOSURE WEIGHT	39.2 LBS / 17.8 KG



AS BUILT DRAWING(S)
THIS DRAWING REFLECTS THE AS BUILT AND SHIPPED STATUS OF THIS EQUIPMENT.

Q	ECO - 00301	GDG	03-17-2010	
REV.	DESCRIPTION	DRAWN	DATE	APPROVED
MOD 1500, AC20 CONTROL / BURNOFF, GENERATOR WITH BAZOOKA BASIC WIRING / PLUMBING DIAGRAM				
APPROVALS	DATE	DWG. NO.	13051	REV. Q
DRAWN THL	06-10-1998	STANDARD SYSTEMS\13051\		
CHECKED		SCALE	1:1	SHEET 1 OF 5
ISSUED				

UNLESS OTHERWISE SPECIFIED DIMENSIONS ARE IN INCHES TOLERANCES ARE:
FRACTIONS ±1/64" X.X=±0.100 ANGLES ±0.5°
X.XX=±0.010 X.XXX=±0.001

NOTICE: THIS DRAWING AND THE INFORMATION HEREIN IS OWNED BY SUPER SYSTEMS, INC. ("SSI"). SSI RESERVES ALL RIGHTS INCLUDING TITLE, COPYRIGHT, PATENT RIGHTS AND THE RIGHT OF POSSESSION IN THE DRAWING AND ITS CONTENTS. EXCEPT AS AUTHORIZED BY SSI IN WRITING, ANY DISCLOSURE, REPRODUCTION OR USE OF THIS DRAWING OR THE INFORMATION AND SPECIFICATIONS HEREIN IS STRICTLY PROHIBITED.

