

OR

DENOTES TERMINAL BLOCK

SUPER SYSTEMS INC.
(800) 666-4330
www.supersystems.com

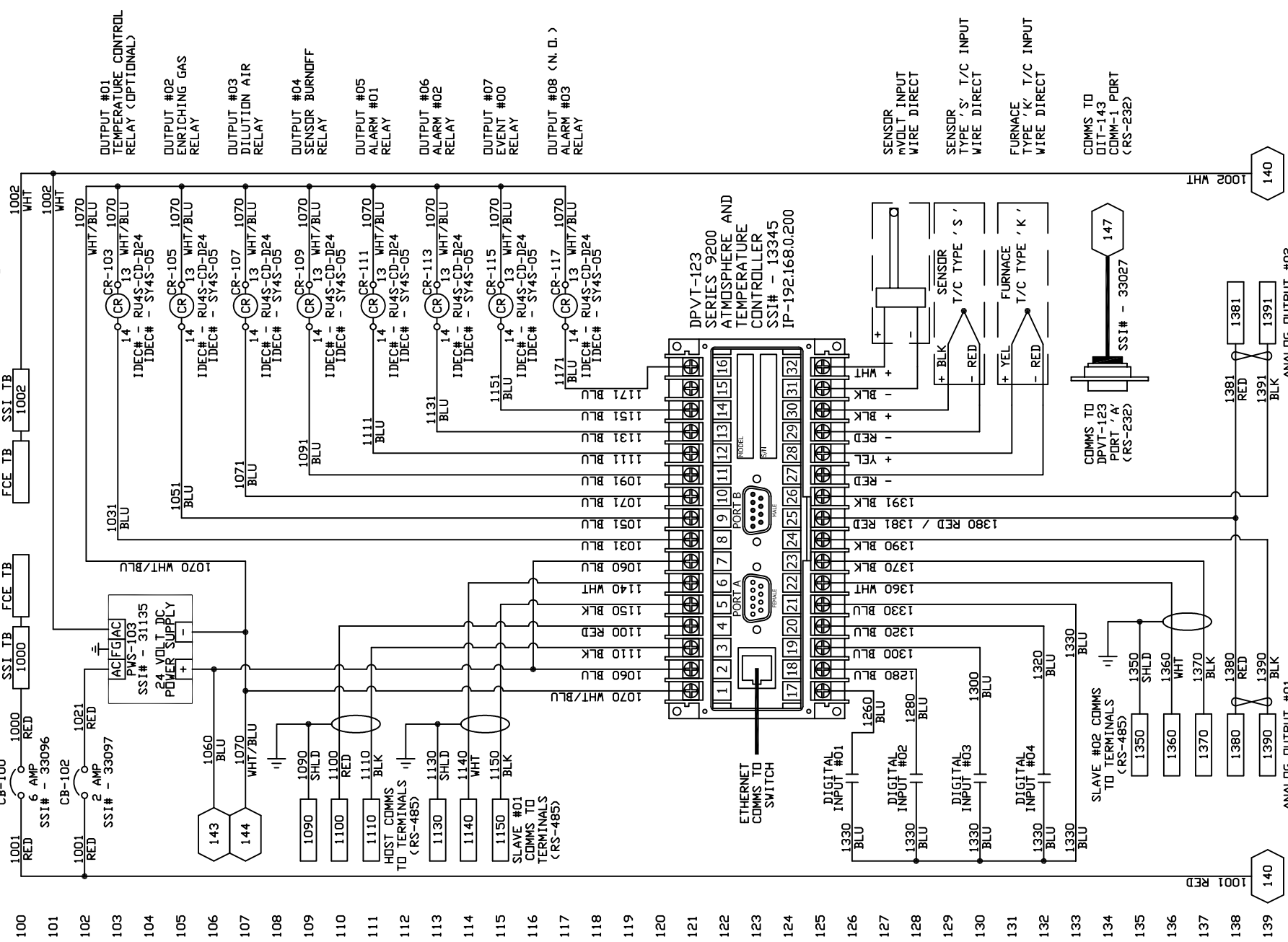
1 - 24VDC (COM)	12 - RELAY OUT 5	22 - SLAVE 2 RS485 (+)
2 - 24VDC (+)	13 - RELAY OUT 6	23 - SLAVE 2 RS485 (-)
3 - RS485 RT (-)	14 - RELAY OUT 7	24 - 4-20mA OUT 1 (-)
4 - RS485 RT (+)	15 - RELAY OUT 8 NC	25 - 4-20mA OUT COM (+)
5 - SLAVE 1 RS485 (+)	16 - RELAY OUT 8 NO	26 - 4-20mA OUT 2 (+)
6 - SLAVE 1 RS485 (-)	17 - DIGITAL IN 1	27 - ANALOG IN 3 (+)
7 - RELAY COMMON	18 - ANALOG IN 2	28 - ANALOG IN 3 (-)
8 - RELAY OUT 1	19 - DIGITAL IN 3	29 - ANALOG IN 2 (+)
9 - RELAY OUT 2	20 - ANALOG IN 4	30 - ANALOG IN 2 (-)
10 - RELAY OUT 3	21 - DIGITAL IN COM	31 - ANALOG IN 1 (+)
11 - RELAY OUT 4		32 - ANALOG IN 1 (-)

SERIES 9200 PINDUT LABEL

COMMS TO DPVT-123 PORT 'A' (RS-232)

139 WHI 1002

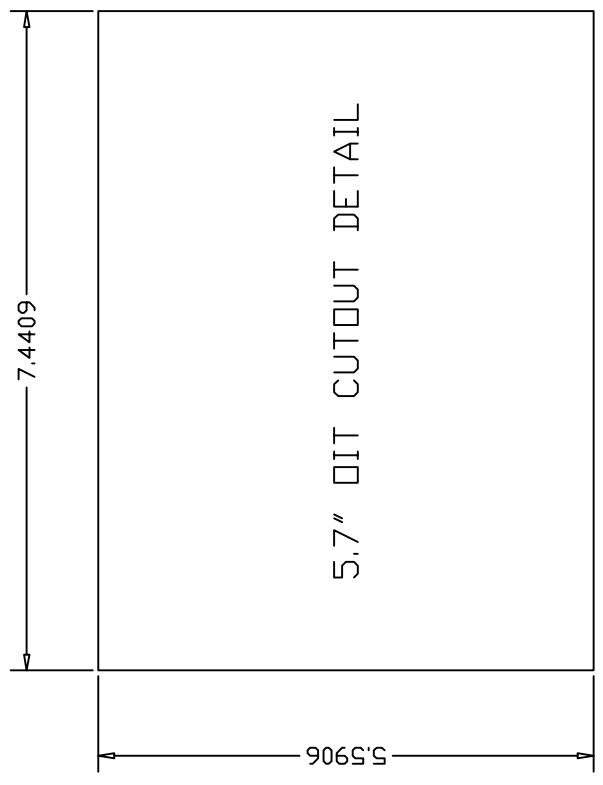
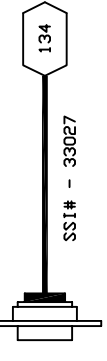
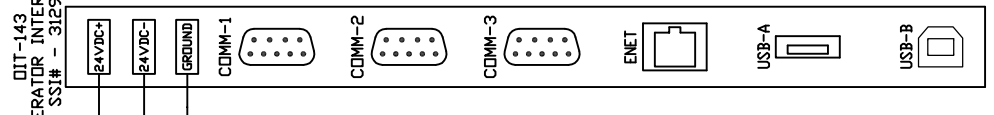
139 RED 1001



140 WHI 1002

140 RED 1001

OPERATOR INTERFACE SSI# - 31297



REFERENCE DRAWING(S)

THIS DRAWING IS FURNISHED AS A GUIDELINE ONLY. FINAL INSTALLATION DIAGRAMS ARE THE RESPONSIBILITY OF OTHERS.

CONFIDENTIAL

REV. A	ECD - 00412	GDG	24 MAR 2017	DATE	APPROVED
REV.	DESCRIPTION	DRAWN	DATE	DATE	APPROVED
SERIES 9200 ATMOSPHERE AND TEMPERATURE CONTROL SYSTEM - RS-232 COMMUNICATIONS TO 5.7" DIT BASIC WIRING DIAGRAM					
APPROVALS	DATE	DWG. NO.	13046	REV.	A
DRAWN	GDG	26 FEB 2014	DATE	CHKD	
CHECKED	CHKD	DATE	ISSUED	SCALE	1:1
			DATE	ISSUED	SHEET 01 OF 02
			DATE	ISSUED	VELECTRONICS\13046\

UNLESS OTHERWISE SPECIFIED DIMENSIONS ARE IN INCHES FRACTIONS DECIMALS #1/64" X.XX=0.100 #0.5" X.XXX=0.010

ANGLES ARE IN DEGREES

UNLESS OTHERWISE SPECIFIED DIMENSIONS ARE IN INCHES FRACTIONS DECIMALS #1/64" X.XX=0.100 #0.5" X.XXX=0.010

SSI
CINCINNATI, OHIO