

OR

DENOTES TERMINAL BLOCK

SUPER SYSTEMS INC.
(800) 666-4330
www.supersystems.com

1 - 24VDC (COM)	22 - SLAVE 2 RS485 (+)
2 - 24VDC (+)	23 - SLAVE 2 RS485 (-)
3 - RS485 RT (-)	24 - 4-20mA OUT 1 (-)
4 - RS485 RT (+)	25 - 4-20mA OUT 1 (+)
5 - SLAVE 1 RS485 (+)	26 - 4-20mA OUT 2 (-)
6 - SLAVE 1 RS485 (-)	27 - 4-20mA OUT 2 (+)
7 - RELAY COMMON	28 - ANALOG IN 3 (+)
8 - RELAY OUT 1	29 - ANALOG IN 2 (+)
9 - RELAY OUT 2	30 - ANALOG IN 1 (+)
10 - RELAY OUT 3	31 - ANALOG IN 1 (-)
11 - RELAY OUT 4	32 - ANALOG IN 1 (+)

SERIES 9220 PINDOUT LABEL

REFERENCE DRAWING(S)

THIS DRAWING IS FURNISHED AS A GUIDELINE ONLY. FINAL INSTALLATION DIAGRAMS ARE THE RESPONSIBILITY OF OTHERS.

CONFIDENTIAL

REV.	DESCRIPTION	DRAWN	DATE	APPROVED
A	ECD - 00412	GDG	24 MAR 2017	

SERIES 9220 VACUUM AND TEMPERATURE CONTROL SYSTEM - RS-485 COMMUNICATIONS TO 5.7" DIT BASIC WIRING DIAGRAM

APPROVALS	DATE	DWG. NO.	REV.
DRAWN	GDG	26 FEB 2014	A
CHECKED	CHKD	DATE	CHKD
ISSUED	DATE	ISSUED	SCALE
			1:1

UNLESS OTHERWISE SPECIFIED DIMENSIONS ARE IN INCHES FRACTIONS DECIMALS ARE: X.XX=±0.100 X.XXX=±0.010 X.XXX=±0.001

UNLESS OTHERWISE SPECIFIED DIMENSIONS ARE IN INCHES FRACTIONS DECIMALS ARE: X.XX=±0.100 X.XXX=±0.010 X.XXX=±0.001

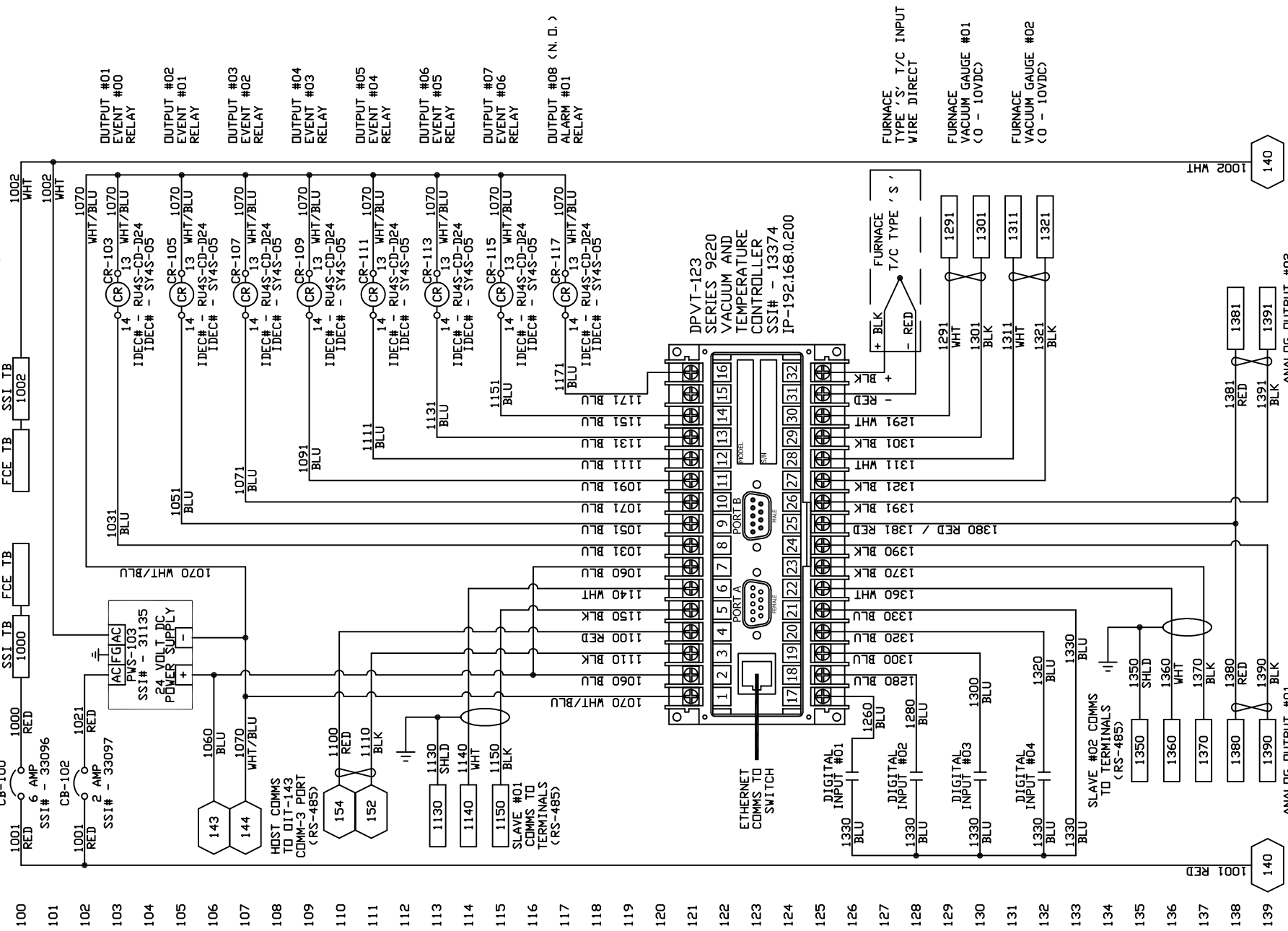
SSi ELECTRONICS\13949\ SHEET 01 OF 02 CINCINNATI, OHIO

139 1002 WHT

139 1001 RED

1002 WHT

1001 RED



OPERATOR INTERFACE
SS1# - 31297

COMMS TO
DPVT-123
(RS-485)

