

OR

DENOTES TERMINAL BLOCK

SUPER SYSTEMS INC.
(800) 666-4330
www.supersystems.com

1 - 24VDC (COM)	22 - SLAVE 2 RS485 (+)
2 - 24VDC (+)	23 - SLAVE 2 RS485 (-)
3 - RS485 RT (-)	24 - 4-20mA OUT 1 (-)
4 - RS485 RT (+)	25 - 4-20mA OUT 2 (+)
5 - SLAVE 1 RS485 (+)	26 - 4-20mA OUT 3 (+)
6 - SLAVE 1 RS485 (-)	27 - ANALOG IN 3 (-)
7 - RELAY COMMON	28 - ANALOG IN 3 (+)
8 - RELAY OUT 1	29 - ANALOG IN 2 (-)
9 - RELAY OUT 2	30 - ANALOG IN 2 (+)
10 - RELAY OUT 3	31 - ANALOG IN 1 (-)
11 - RELAY OUT 4	32 - ANALOG IN 1 (+)

SERIES 9120 PINDOUT LABEL

COMBO ALARM

PROGRAM ALARM, ALARM 01,
ALARM 02, AND ALARM 03

REFERENCE DRAWING(S)

THIS DRAWING IS FURNISHED AS A
GUIDELINE ONLY.
FINAL INSTALLATION DIAGRAMS
ARE THE RESPONSIBILITY OF OTHERS.

CONFIDENTIAL

REV.	DESCRIPTION	DRAWN	DATE	APPROVED
A	ECD - 00412		24 MAR 2017	

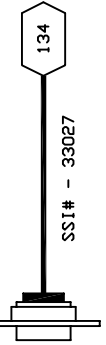
SERIES 9120 ATMOSPHERE
CONTROL SYSTEM - RS-232 COMMUNICATIONS TO 3.5" DIT
BASIC WIRING DIAGRAM

APPROVALS	DATE	DWG. NO.	REV.
DRAWN	28 FEB 2014	13518	A
CHECKED	DATE	CHKD	
ISSUED	DATE	ISSUED	SCALE 1:1
		VELECTRONICS\13518\	SHEET 01 OF 02

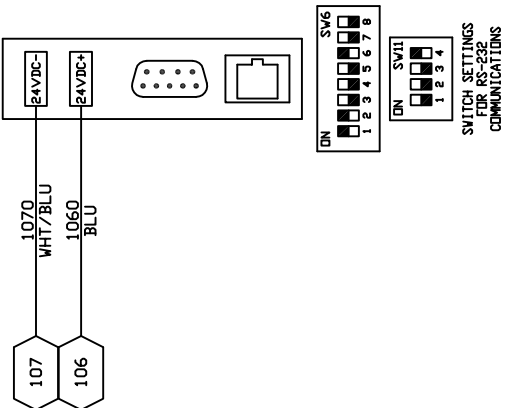
UNLESS OTHERWISE SPECIFIED
DIMENSIONS ARE IN INCHES
FRACTIONS DECIMALS
X.XX=±0.100 ±0.5°
X.XXX=±0.010 ±0.5°
X.XXX=±0.001

SSi
CINCINNATI, OHIO

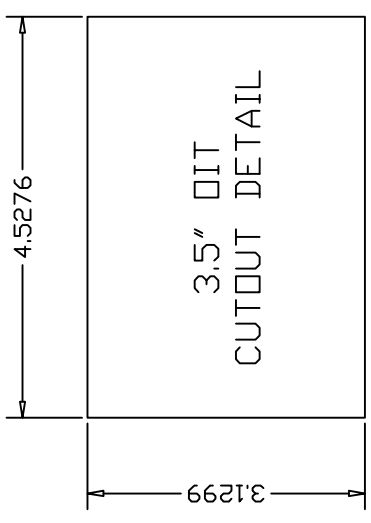
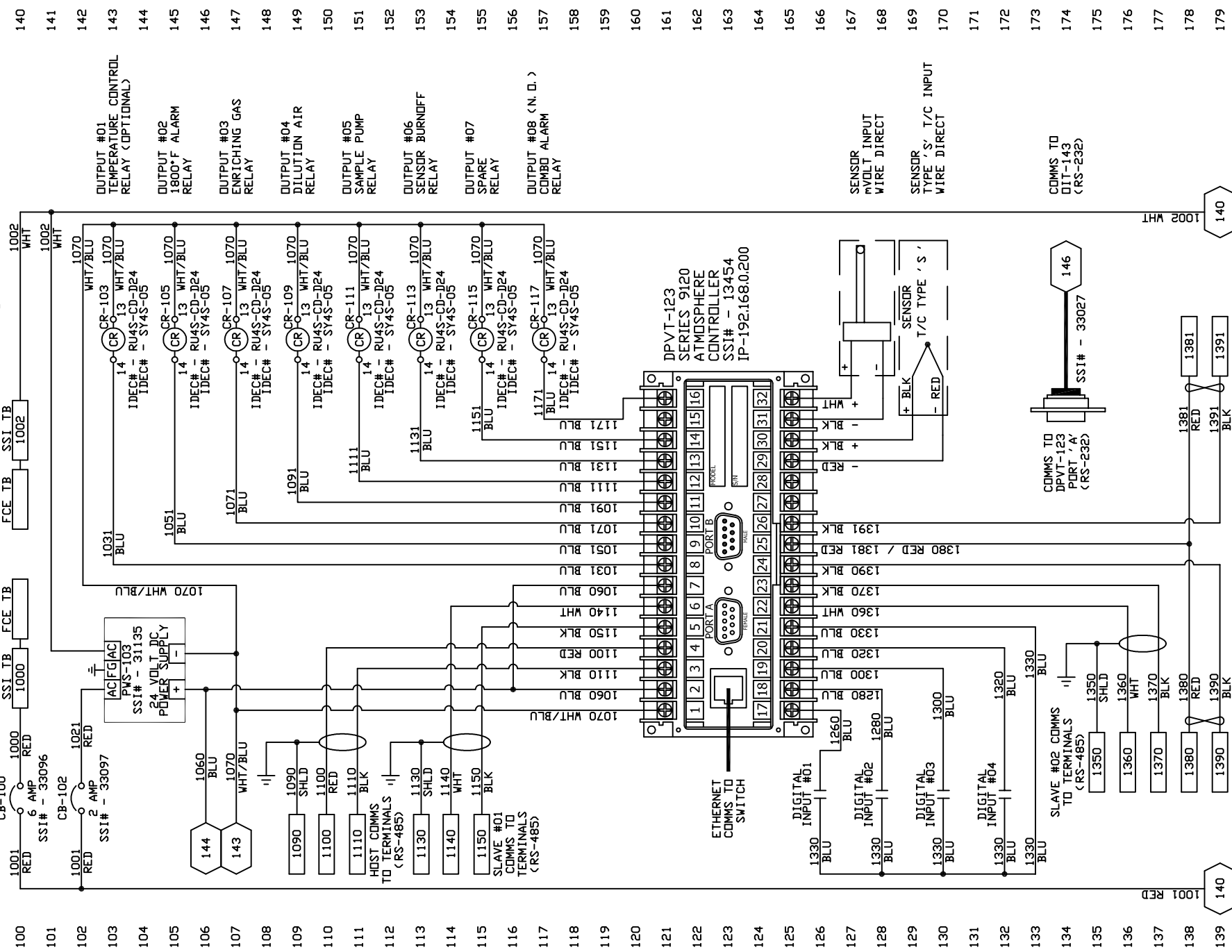
139 WH 1002



OPERATOR INTERFACE
SSI# - 31296



139 RED 1001



140 WH 1002

140 RED 1001