

OR

DENOTES TERMINAL BLOCK

SUPER SYSTEMS INC.  
(800) 666-4330  
www.supersystems.com

- 1 - 24VDC (COM)
- 2 - 24VDC (+)
- 3 - RS485 RT (-)
- 4 - RS485 RT (+)
- 5 - SLAVE 1 RS485 (+)
- 6 - SLAVE 1 RS485 (-)
- 7 - RELAY COMMON
- 8 - RELAY OUT 1
- 9 - RELAY OUT 2
- 10 - RELAY OUT 3
- 11 - RELAY OUT 4
- 12 - RELAY OUT 5
- 13 - RELAY OUT 6
- 14 - RELAY OUT 7
- 15 - RELAY OUT 8 NC
- 16 - RELAY OUT 8 NO
- 17 - DIGITAL IN 1
- 18 - ANALOG IN 3 (+)
- 19 - ANALOG IN 3 (-)
- 20 - ANALOG IN 2 (+)
- 21 - ANALOG IN 2 (-)
- 22 - SLAVE 2 RS485 (+)
- 23 - SLAVE 2 RS485 (-)
- 24 - 4-20mA OUT 1 (+)
- 25 - 4-20mA OUT 2 (+)
- 26 - 4-20mA OUT 2 (-)
- 27 - ANALOG IN 3 (+)
- 28 - ANALOG IN 3 (-)
- 29 - ANALOG IN 2 (+)
- 30 - ANALOG IN 2 (-)
- 31 - ANALOG IN 1 (+)
- 32 - ANALOG IN 1 (-)

SERIES 9205 PINDOUT LABEL

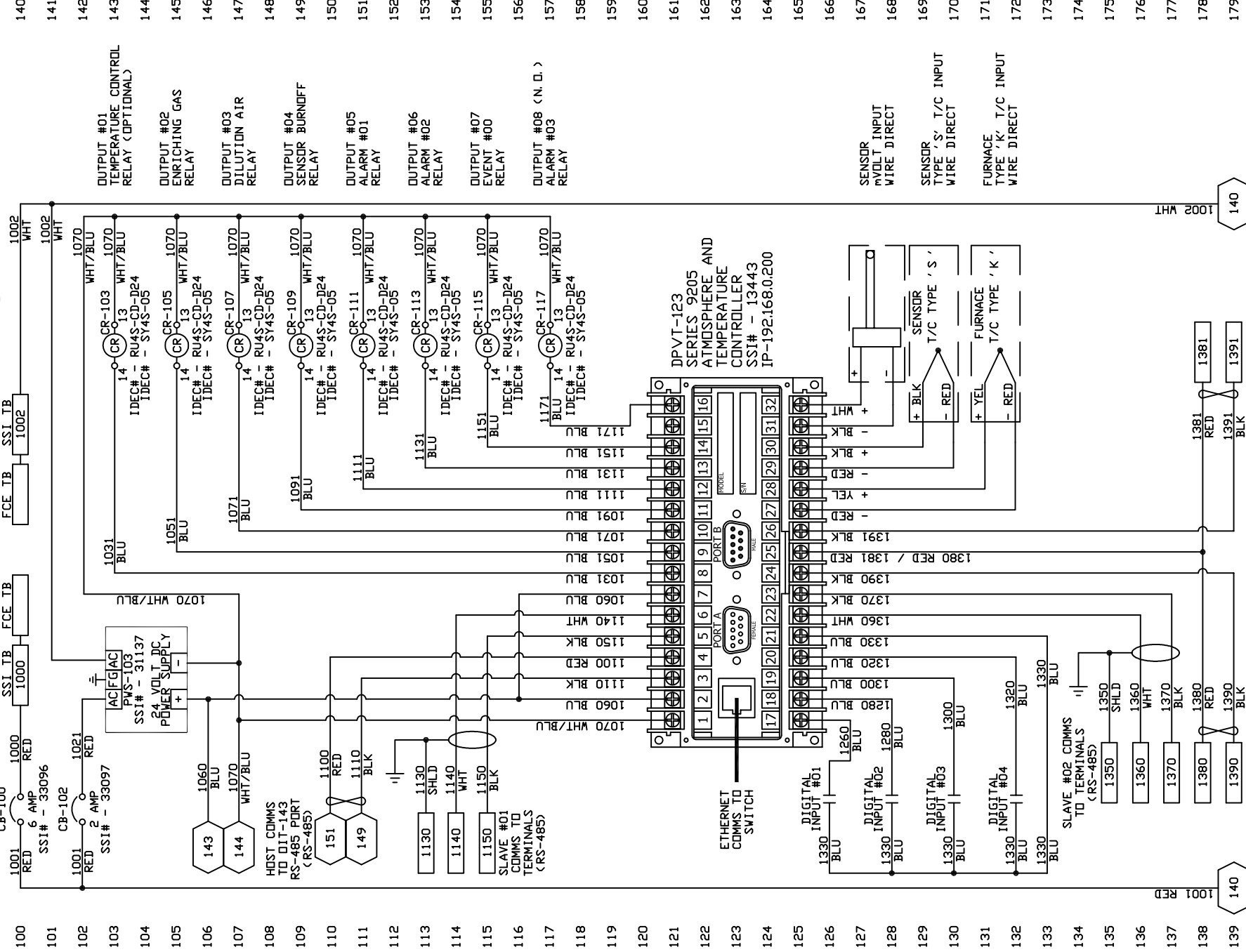
COMMS TO DPVT-123 (RS-485)

139  
1002 WHT

139  
1001 RED

1002 WHT

1001 RED



OPERATOR INTERFACE  
SS1# - 31299

DIT-143

SS1# - 31299

SS1# - 31299

SS1# - 31299

SS1# - 31299

SS1# - 31299

SS1# - 31299

SS1# - 31299

SS1# - 31299

SS1# - 31299

SS1# - 31299

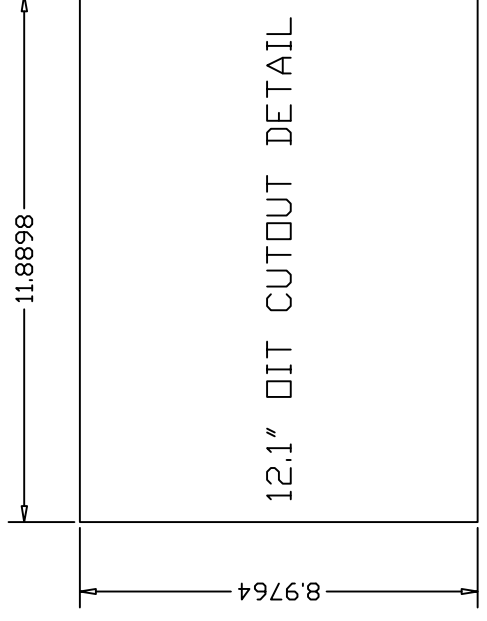
SS1# - 31299

SS1# - 31299

SS1# - 31299

SS1# - 31299

SS1# - 31299



REFERENCE DRAWING(S)

THIS DRAWING IS FURNISHED AS A GUIDELINE ONLY. FINAL INSTALLATION DIAGRAMS ARE THE RESPONSIBILITY OF OTHERS.

CONFIDENTIAL

REV.	DESCRIPTION	DRAWN	DATE	APPROVED
A	ECD - 00412	GDG	24 MAR 2017	

SERIES 9205 ATMOSPHERE AND TEMPERATURE CONTROL SYSTEM - RS-485 COMMUNICATIONS TO 12.1" DIT

BASIC WIRING DIAGRAM

APPROVALS	DATE	DWG. NO.	REV.
DRAWN	GDG	03 MAR 2014	
CHECKED	CHKD	DATE	ISSUED
ISSUED	DATE	ISSUED	SCALE
1:1	1:1	1:1	SHEET 01 OF 02

UNLESS OTHERWISE SPECIFIED DIMENSIONS ARE IN INCHES FRACTIONS DECIMALS ANGLES X.XX=0.100 ±0.5° X.XXX=0.010 ±1/64"

SSI  
CINCINNATI, OHIO