

OR

DENOTES TERMINAL BLOCK

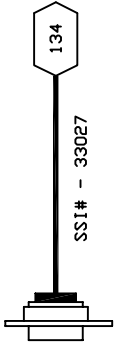
SUPER SYSTEMS INC.
 (800) 666-4330
 www.supersystems.com

1 - 24VDC (COM)	12 - RELAY OUT 5	22 - SLAVE 2 RS485 (+)
2 - 24VDC (+)	13 - RELAY OUT 6	23 - SLAVE 2 RS485 (-)
3 - RS485 RT (-)	14 - RELAY OUT 7	24 - 4-20mA OUT 1 (-)
4 - RS485 RT (+)	15 - RELAY OUT 8 NC	25 - 4-20mA OUT COM (+)
5 - SLAVE 1 RS485 (+)	16 - RELAY OUT 8 NO	26 - 4-20mA OUT 2 (+)
6 - SLAVE 1 RS485 (-)	17 - DIGITAL IN 1	27 - ANALOG IN 3 (-)
7 - RELAY COMMON	18 - DIGITAL IN 2	28 - ANALOG IN 3 (+)
8 - RELAY OUT 1	19 - DIGITAL IN 3	29 - ANALOG IN 2 (+)
9 - RELAY OUT 2	20 - DIGITAL IN 4	30 - ANALOG IN 2 (-)
10 - RELAY OUT 3	21 - DIGITAL IN COM	31 - ANALOG IN 1 (-)
11 - RELAY OUT 4		32 - ANALOG IN 1 (+)

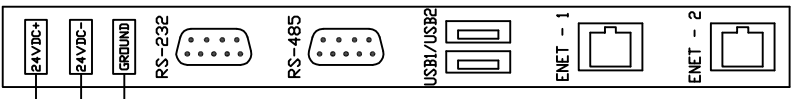
SERIES 9130 PINDOUT LABEL

139
1002 WHT

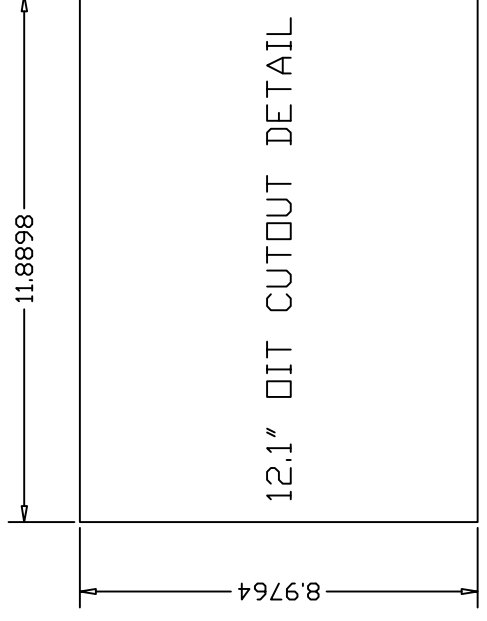
COMMS TO DPVT-123 PORT 'A' (RS-232)



OPERATOR INTERFACE
 SSI# - 31299

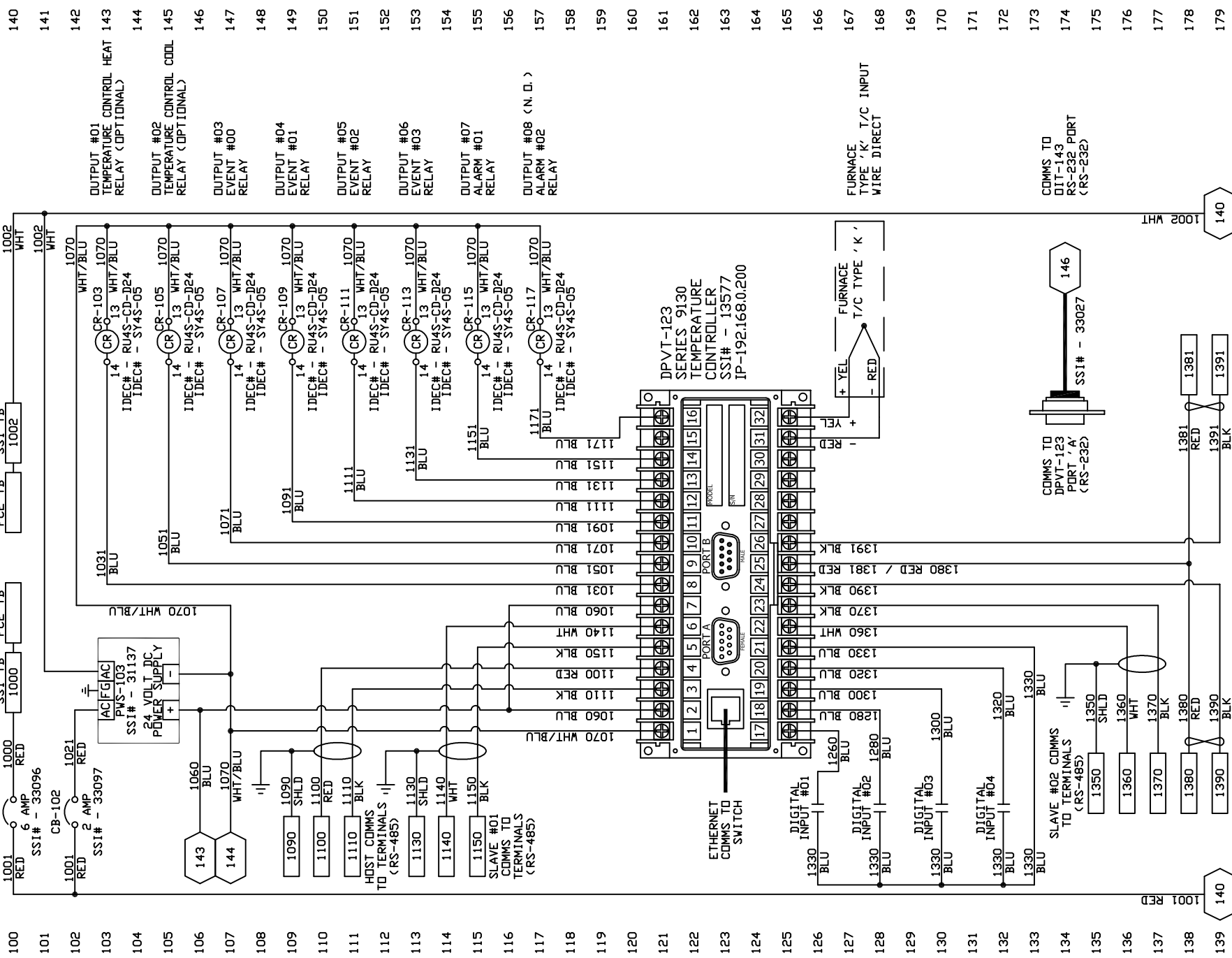


106
107



139
1001 RED

1001 RED



REFERENCE DRAWING(S)
 THIS DRAWING IS FURNISHED AS A GUIDELINE ONLY. FINAL INSTALLATION DIAGRAMS ARE THE RESPONSIBILITY OF OTHERS.
CONFIDENTIAL

REV.	A	ECD - 00412	GDG	24 MAR 2017	DATE	APPROVED
DESCRIPTION	SERIES 9130 TEMPERATURE CONTROL SYSTEM - RS-232 COMMUNICATIONS TO 12.1" DIT BASIC WIRING DIAGRAM					
APPROVALS	DATE	DWG. NO.	13595	REV.	A	
DRAWN	GDG	26 MAR 2014	DATE CHKD	VELECTRONICS\13595		
CHECKED	CHKD	DATE ISSUED	SCALE	1:1	SHEET 01 OF 02	

UNLESS OTHERWISE SPECIFIED DIMENSIONS ARE IN INCHES. FRACTIONS DECIMALS #1/64" X .XX=±0.100 X.XXX=±0.010 X.XXX=±0.001

SSi
 CINCINNATI, OHIO