

OR □

DENOTES TERMINAL BLOCK

SUPER SYSTEMS INC.
(800) 666-4330
www.supersystems.com

1 - 24VDC (COM)	22 - SLAVE 2 RS485 (+)
2 - 24VDC (+)	23 - SLAVE 2 RS485 (-)
3 - RS485 RT (-)	24 - 4-20mA OUT 1 (-)
4 - RS485 RT (+)	25 - 4-20mA OUT 1 COM (+)
5 - SLAVE 1 RS485 (+)	26 - 4-20mA OUT 2 (-)
6 - SLAVE 1 RS485 (-)	27 - ANALOG IN 3 (-)
7 - RELAY COMMON	18 - ANALOG IN 3 (+)
8 - RELAY OUT 1	19 - ANALOG IN 2 (-)
9 - RELAY OUT 2	20 - ANALOG IN 2 (+)
10 - RELAY OUT 3	31 - ANALOG IN 1 (-)
11 - RELAY OUT 4	32 - ANALOG IN 1 (+)

SERIES 9220 PINDOUT LABEL

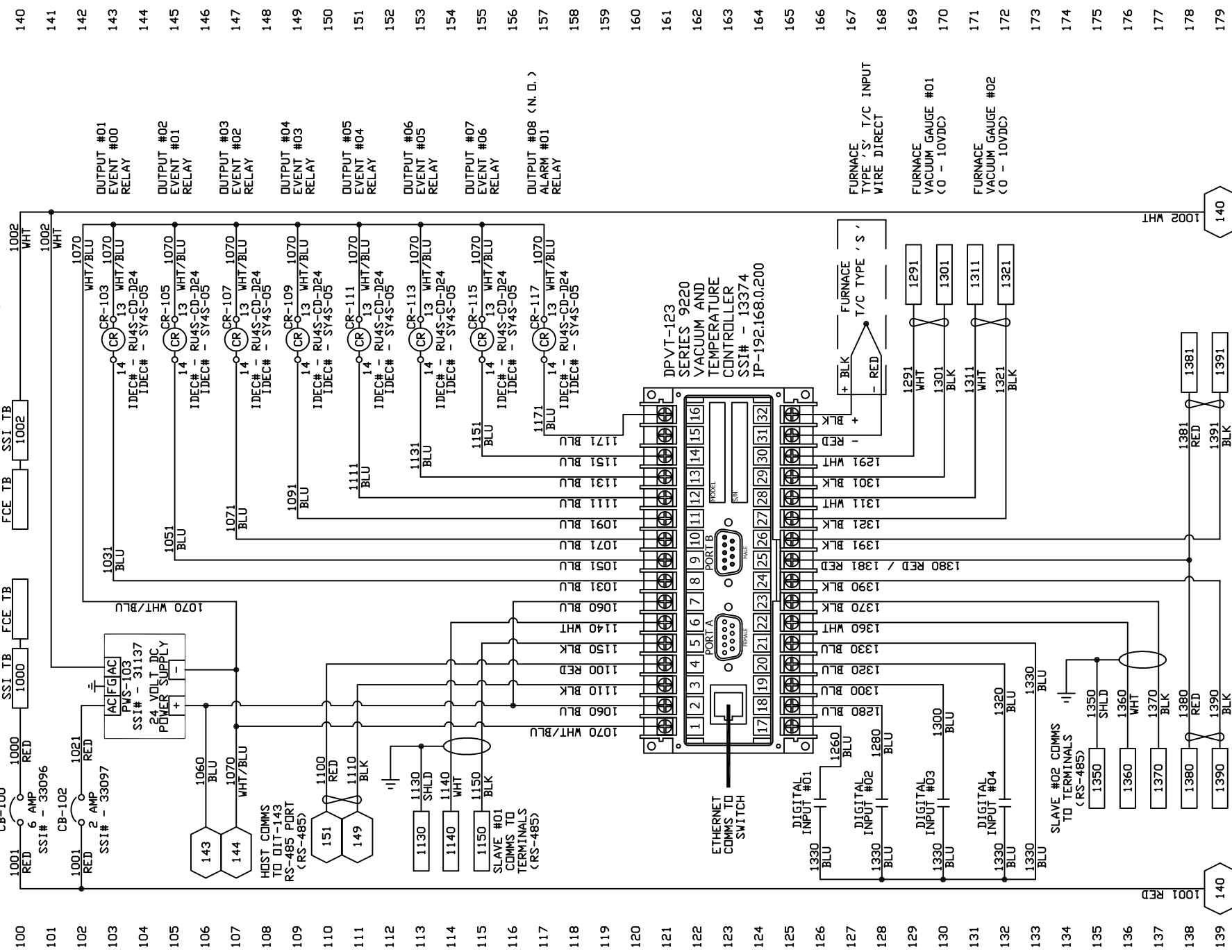
COMMS TO DPVT-123 (RS-485)

139
1002 WHT

139
1001 RED

1002 WHT

1001 RED



17" OIT CUTOUT DETAIL

15.7795

13.614

UNLESS OTHERWISE SPECIFIED DIMENSIONS ARE IN INCHES FRACTIONS DECIMALS ANGLES
X.XX=±0.100 ±0.5°
X.XXX=±0.010 ±0.001

REFERENCE DRAWING(S)
THIS DRAWING IS FURNISHED AS A GUIDELINE ONLY. FINAL INSTALLATION DIAGRAMS ARE THE RESPONSIBILITY OF OTHERS.
CONFIDENTIAL

A	ECD - 00412	GDG	24 MAR 2017	DATE	APPROVED
REV.	DESCRIPTION	DRAWN	DATE	DATE	APPROVED
SERIES 9220 VACUUM AND TEMPERATURE CONTROL SYSTEM - RS-485 COMMUNICATIONS TO 17" OIT BASIC WIRING DIAGRAM					
APPROVALS	DATE	DWG. NO.	13664	REV.	A
DRAWN	GDG	03 MAR 2014	DATE	CHKD	VELETRONICS\13664\
CHECKED	CHKD	DATE	ISSUED	SCALE	1:1
SHEET 01 OF 02					

