

OR

DENOTES TERMINAL BLOCK

SUPER SYSTEMS INC.
(800) 666-4330
www.supersystems.com

- 1 - 24VDC (COM)
- 2 - 24VDC (+)
- 3 - RS485 RT (-)
- 4 - RS485 RT (+)
- 5 - SLAVE 1, RS485 (+)
- 6 - SLAVE 1, RS485 (-)
- 7 - RELAY COMMON
- 8 - RELAY OUT 1
- 9 - RELAY OUT 2
- 10 - RELAY OUT 3
- 11 - RELAY OUT 4
- 12 - RELAY OUT 5
- 13 - RELAY OUT 6
- 14 - RELAY OUT 7
- 15 - RELAY OUT 8 NC
- 16 - RELAY OUT 8 NO
- 17 - DIGITAL IN 1
- 18 - ANALOG IN 3 (+)
- 19 - ANALOG IN 3 (-)
- 20 - ANALOG IN 2 (+)
- 21 - ANALOG IN 2 (-)
- 22 - SLAVE 2, RS485 (+)
- 23 - SLAVE 2, RS485 (-)
- 24 - 4-20mA OUT 1 (+)
- 25 - 4-20mA OUT 2 (+)
- 26 - 4-20mA OUT 2 (-)
- 27 - ANALOG IN 3 (+)
- 28 - ANALOG IN 3 (-)
- 29 - ANALOG IN 2 (+)
- 30 - ANALOG IN 2 (-)
- 31 - ANALOG IN 1 (+)
- 32 - ANALOG IN 1 (-)

SERIES 9200 PINDUT LABEL

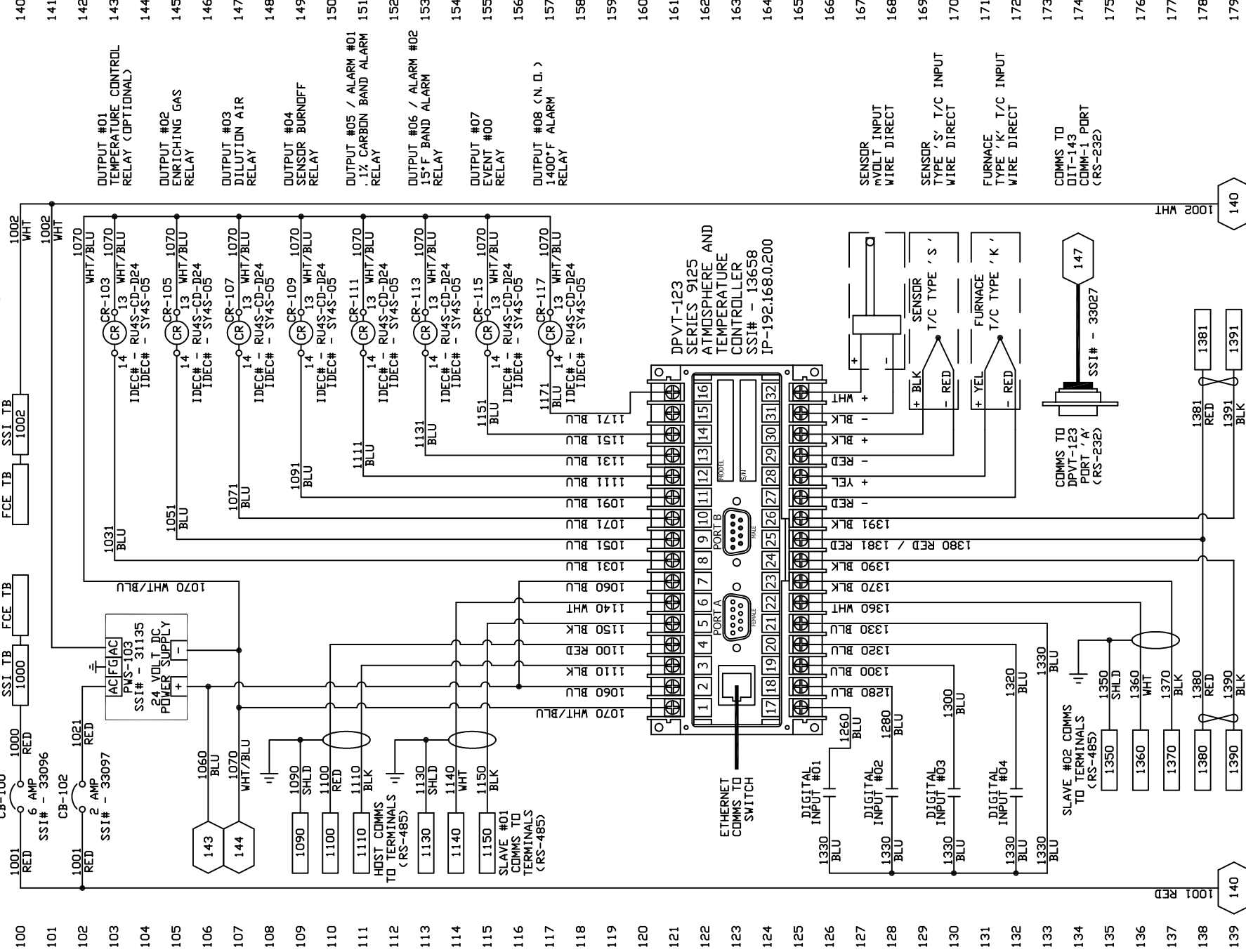
COMMS TO DPVT-123 PORT 'A' (RS-232)

139 1002 WHT

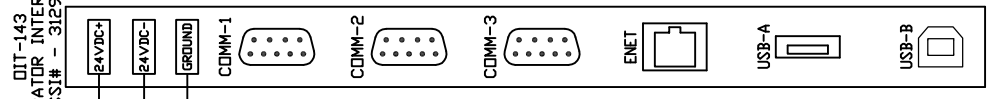
139 1001 RED

1002 WHT

1001 RED

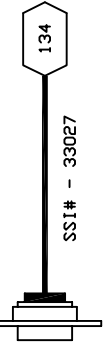


OPERATOR INTERFACE
SS1# - 31297

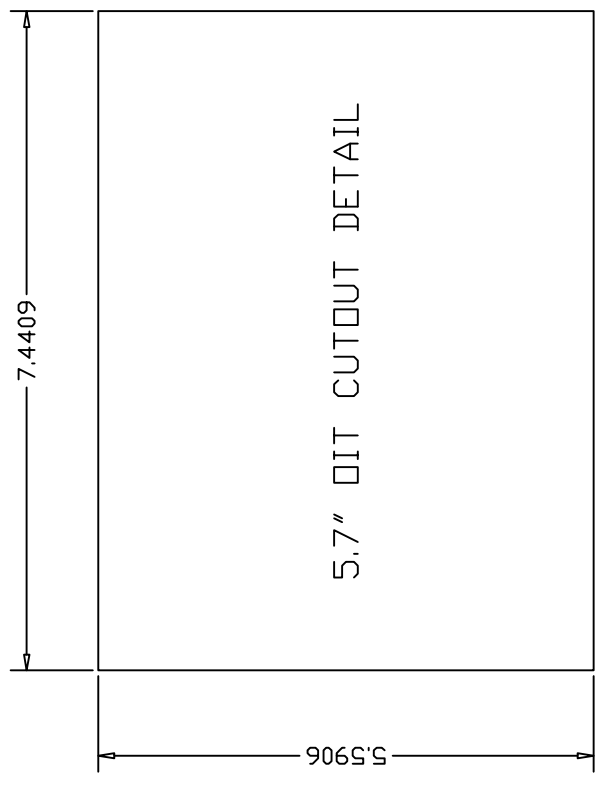


106 1070 BLU

107 1070 WHT/BLU



SS1# - 33027



5.7" DIT CUTOUT DETAIL

REFERENCE DRAWING(S)

THIS DRAWING IS FURNISHED AS A GUIDELINE ONLY. FINAL INSTALLATION DIAGRAMS ARE THE RESPONSIBILITY OF OTHERS.

CONFIDENTIAL

REV.	DESCRIPTION	DRAWN	DATE	APPROVED
A	ECD - 00412		24 MAR 2017	

APPROVALS	DATE	DWG. NO.	13691	REV. A
DRAWN	26 FEB 2014	DATE CHKD		
CHECKED		DATE ISSUED		
ISSUED		SCALE	1:1	SHEET 01 OF 02

SERIES 9125 ATMOSPHERE AND TEMPERATURE CONTROL SYSTEM - RS-232 COMMUNICATIONS TO 5.7" DIT BASIC WIRING DIAGRAM

UNLESS OTHERWISE SPECIFIED DIMENSIONS ARE IN INCHES. ANGLES ARE IN DEGREES. DECIMALS ARE TO 0.01. FRACTIONS ARE TO 1/64". X, XX=±0.100 ±0.5° X, XXX=±0.010 ±0.001

SSi

CINCINNATI, OHIO