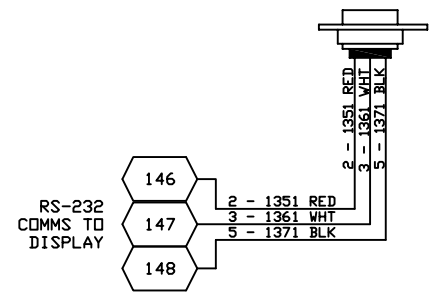
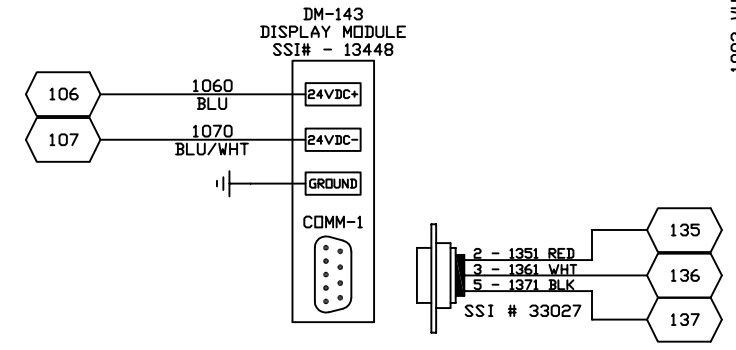
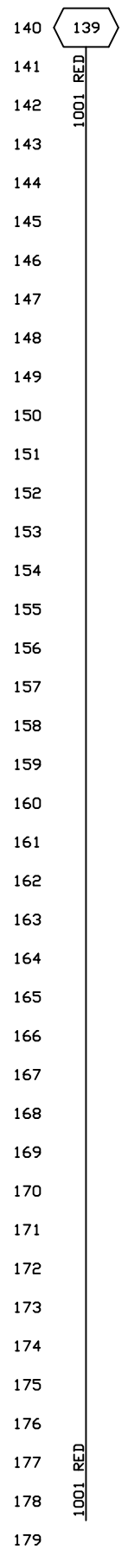
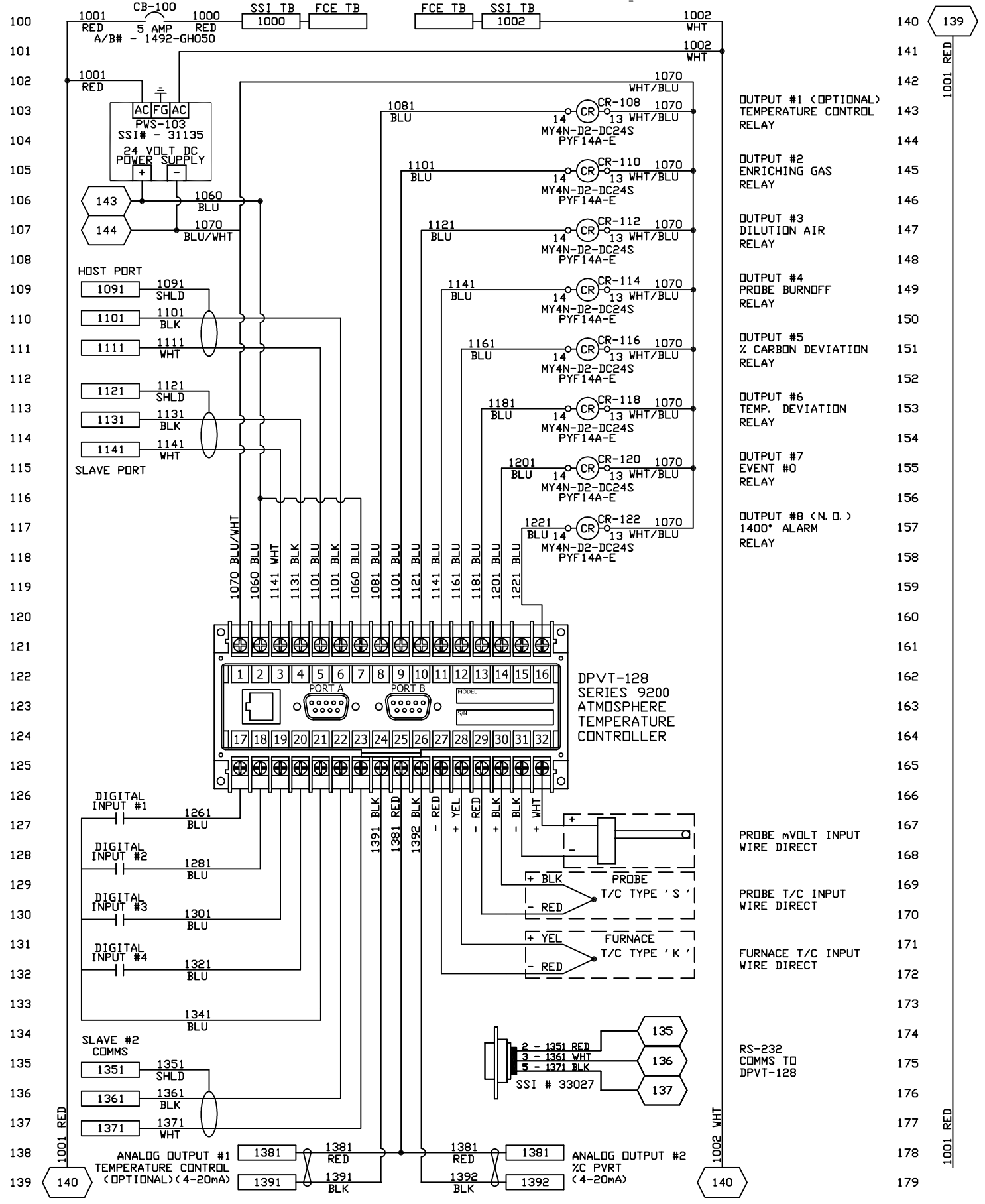


CUSTOMER'S
120VAC,
1 PHASE, 50/60HZ
SUPPLY POWER

HOST COMMS
TO HOST
COMPUTER
(RS-485)



OR □
 DENOTES TERMINAL BLOCK

SUPER SYSTEMS INC.
 (800) 666-4330
 www.supersystems.com

1 - 24VDC (COM)	12 - RELAY OUT 5	22 - SLAVE 2 RS485 (+)
2 - 24VDC (+)	13 - RELAY OUT 6	23 - SLAVE 2 RS485 (-)
3 - RS485 RT (-)	14 - RELAY OUT 7	24 - 4-20mA OUT 1 (+)
4 - RS485 RT (+)	15 - RELAY OUT 8 NC	25 - 4-20mA OUT COM (+)
5 - SLAVE 1 RS485 (-)	16 - RELAY OUT 8 NO	26 - 4-20mA OUT 2 (-)
6 - SLAVE 1 RS485 (+)	17 - DIGITAL IN 1	27 - ANALOG IN 3 (-)
7 - RELAY COMMON	18 - DIGITAL IN 2	28 - ANALOG IN 3 (+)
8 - RELAY OUT 1	19 - DIGITAL IN 3	29 - ANALOG IN 2 (-)
9 - RELAY OUT 2	20 - DIGITAL IN 4	30 - ANALOG IN 2 (+)
10 - RELAY OUT 3	21 - DIGITAL IN COM	31 - ANALOG IN 1 (-)
11 - RELAY OUT 4		32 - ANALOG IN 1 (+)

9200 PINOUT LABEL

REFERENCE DRAWING(S)
 THIS DRAWING IS FURNISHED AS A
 GUIDELINE ONLY.
 FINAL INSTALLATION DIAGRAMS
 ARE THE RESPONSIBILITY OF OTHERS.

REV.	DESCRIPTION	DRAWN	DATE	APPROVED
9200 BASIC WIRING DIAGRAM				
ATMOSPHERE & TEMPERATURE CONTROL SYSTEM				
BASIC WIRING DIAGRAM				
APPROVALS	DATE	DWG. NO.	SHEET-1	REV.
DRAWN	GDG	03-30-2007	ELECTRONICS/SERIES 9200\	
CHECKED			SCALE	1:1
ISSUED			SHEET 1 OF 1	

UNLESS OTHERWISE SPECIFIED
 DIMENSIONS ARE IN INCHES
 TOLERANCES ARE:
 FRACTIONS DECIMALS ANGLES
 ±1/64" X.XX=±0.100 ±0.5°
 X.XX=±0.010
 X.XXX=±0.001

NOTICE: THIS DRAWING AND THE INFORMATION HEREIN IS OWNED
 BY SUPER SYSTEMS, INC. ("SSI"). SSI RESERVES ALL RIGHTS
 INCLUDING TITLE, COPYRIGHT, PATENT RIGHTS AND THE RIGHT OF
 POSSESSION IN THE DRAWING AND ITS CONTENTS, EXCEPT AS
 AUTHORIZED BY SSI IN WRITING. ANY DISCLOSURE, REPRODUCTION,
 OR USE OF THIS DRAWING OR THE INFORMATION AND
 SPECIFICATIONS HEREIN IS STRICTLY PROHIBITED.

SSI
 CINCINNATI, OHIO