



## Introduction

This manual will guide you through the process of wiring an 808SR Series controller with a previously installed series 7EK controller. Note: the colors depicted in the images have no other meaning than to provide a quick visual reference for transferring wires from one controller to the next in a replacement scenario.

**This manual is for the 808SR only. If you are wiring an 808, refer to the guide for that device.**

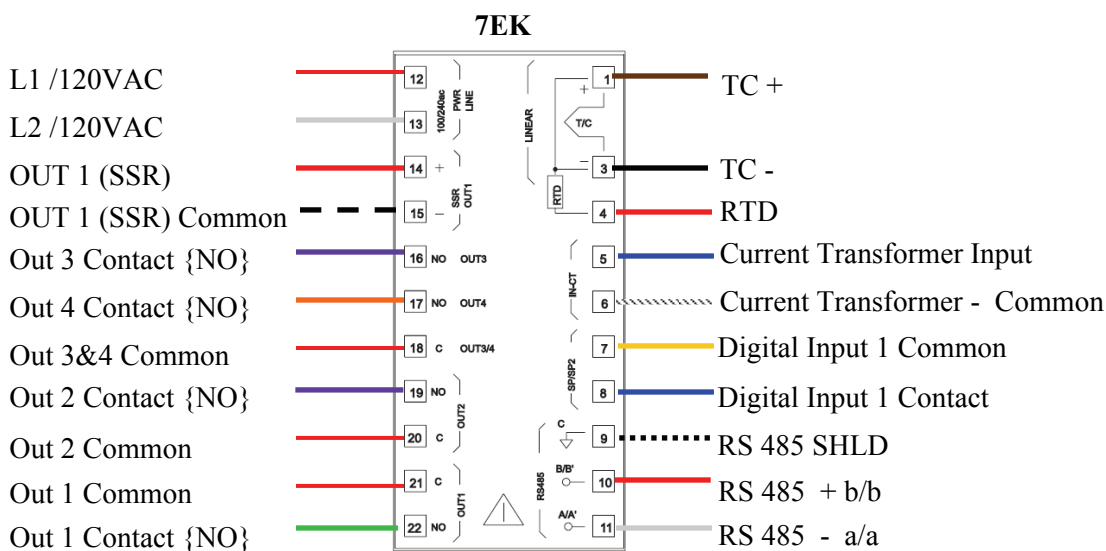


Image 1.

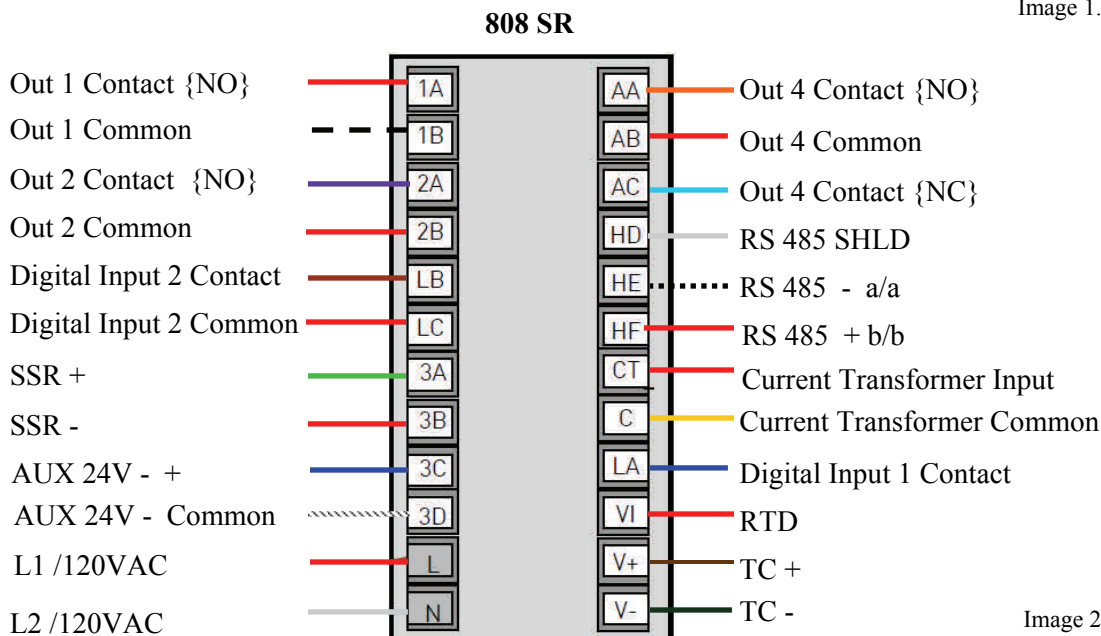


Image 2.

## Procedure

When replacing the 7EK with an 808SR controller its important to note that the terminal layout has changed. Below is the text description of the wiring conversion process.

1. Transfer Analog Input from 7EK to 808SR as follows:
  - Terminal 1 to (V+)
  - Terminal 3 to (V-)
  - Terminal 4 to (VI)
2. Transfer from 7EK to 808SR as follows:
  - Terminal 7 to (C )
  - Terminal 8 to (LA)
3. Transfer RS-485 communication from 7EK to 808SR as follows:
  - Terminal 9 to (HD)
  - Terminal 10 to (HF)
  - Terminal 11 to (HE)
4. Transfer SSR Output from 7EK to 808SR as follows:
  - Terminal 14 to (3A)
  - Terminal 15 to (3B)
5. Transfer Relay Outputs from 7EK to 808SR as follows:
  - Terminal 17 to (AA)
  - Terminal 19 to (2A)
  - Terminal 22 to (1A)
6. Finally, Transfer Line and Relay Commons
  - L1 (Terminal 12) to (Terminal L)
  - L2 (Terminal 13) to (Terminal N)
  - Terminate the relay commons accordingly
  - Terminal 21 to (1B)
  - Terminal 20 to (2B)
  - (L) can be jumpered to (AB) on the 808SR if used

<b>Rev.</b>	<b>Description</b>	<b>Date</b>	<b>MCO #</b>
-	Initial Release	11/23/2016	2184