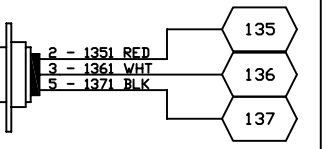
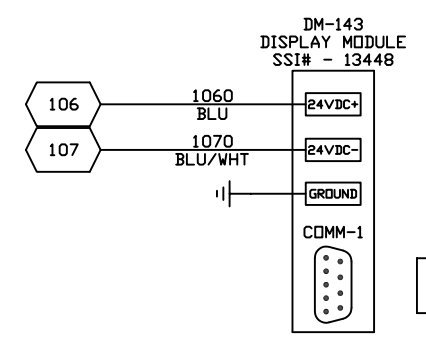


- 100 1001 RED
- 101 1000 RED
- 102 1002 WHT
- 103 1002 WHT
- 104 1021 SHLD
- 105 1031 BLK
- 106 1041 WHT
- 107 1070 WHT/BLU
- 108 1070 WHT/BLU
- 109 1070 WHT/BLU
- 110 1070 WHT/BLU
- 111 1070 WHT/BLU
- 112 1070 WHT/BLU
- 113 1070 WHT/BLU
- 114 1070 WHT/BLU
- 115 1070 WHT/BLU
- 116 1070 WHT/BLU
- 117 1070 WHT/BLU
- 118 1070 WHT/BLU
- 119 1070 WHT/BLU
- 120 1070 WHT/BLU
- 121 1070 WHT/BLU
- 122 1070 WHT/BLU
- 123 1070 WHT/BLU
- 124 1070 WHT/BLU
- 125 1070 WHT/BLU
- 126 1070 WHT/BLU
- 127 1070 WHT/BLU
- 128 1070 WHT/BLU
- 129 1070 WHT/BLU
- 130 1070 WHT/BLU
- 131 1070 WHT/BLU
- 132 1070 WHT/BLU
- 133 1070 WHT/BLU
- 134 1070 WHT/BLU
- 135 1070 WHT/BLU
- 136 1070 WHT/BLU
- 137 1070 WHT/BLU
- 138 1070 WHT/BLU
- 139 1070 WHT/BLU



RS-232
COMMS TO
DPVT-128

OR DENOTES TERMINAL BLOCK

SUPER SYSTEMS INC. (800) 666-4330 www.supersystems.com		
1 - 24VDC (COM)	12 - RELAY OUT 5	22 - SLAVE 2 RS485 (+)
2 - 24VDC (+)	13 - RELAY OUT 6	23 - SLAVE 2 RS485 (-)
3 - RS485 RT (-)	14 - RELAY OUT 7	24 - 4-20mA OUT 1 (-)
4 - RS485 RT (+)	15 - RELAY OUT 8 NC	25 - 4-20mA OUT COM (+)
5 - SLAVE 1 RS485 (-)	16 - RELAY OUT 8 NO	26 - 4-20mA OUT 2 (-)
6 - SLAVE 1 RS485 (+)	17 - DIGITAL IN 1	27 - ANALOG IN 3 (-)
7 - RELAY COMMON	18 - DIGITAL IN 2	28 - ANALOG IN 3 (+)
8 - RELAY OUT 1	19 - DIGITAL IN 3	29 - ANALOG IN 2 (-)
9 - RELAY OUT 2	20 - DIGITAL IN 4	30 - ANALOG IN 2 (+)
10 - RELAY OUT 3	21 - DIGITAL IN COM	31 - ANALOG IN 1 (-)
11 - RELAY OUT 4		32 - ANALOG IN 1 (+)

9200 PINOUT LABEL

REFERENCE DRAWING(S)
THIS DRAWING IS FURNISHED AS A
GUIDELINE ONLY.
FINAL INSTALLATION DIAGRAMS
ARE THE RESPONSIBILITY OF OTHERS.

REV.	DESCRIPTION	DRAWN	DATE	APPROVED
	9200 BASIC WIRING DIAGRAM			
ATMOSPHERE & TEMPERATURE CONTROL SYSTEM				
BASIC WIRING DIAGRAM				
APPROVALS	DATE	DWG. NO.	SHEET-1 REV.	
DRAWN	GDG	03-30-2007	ELECTRONICS/SERIES 9200\	
CHECKED			SCALE 1:1 SHEET 1 OF 1	
ISSUED				

UNLESS OTHERWISE SPECIFIED
DIMENSIONS ARE IN INCHES
TOLERANCES ARE:
FRACTIONS ±1/64"
DECIMALS X.XX=±0.100
X.XX=±0.010
X.XXX=±0.001

NOTICE: THIS DRAWING AND THE INFORMATION HEREIN IS OWNED
BY SUPER SYSTEMS, INC. ("SSI"). SSI RESERVES ALL RIGHTS
INCLUDING TITLE, COPYRIGHT, PATENT RIGHTS AND THE RIGHT OF
POSSESSION IN THE DRAWING AND ITS CONTENTS, EXCEPT AS
AUTHORIZED BY SSI IN WRITING. ANY DISCLOSURE, REPRODUCTION,
OR USE OF THIS DRAWING OR THE INFORMATION AND
SPECIFICATIONS HEREIN IS STRICTLY PROHIBITED.

