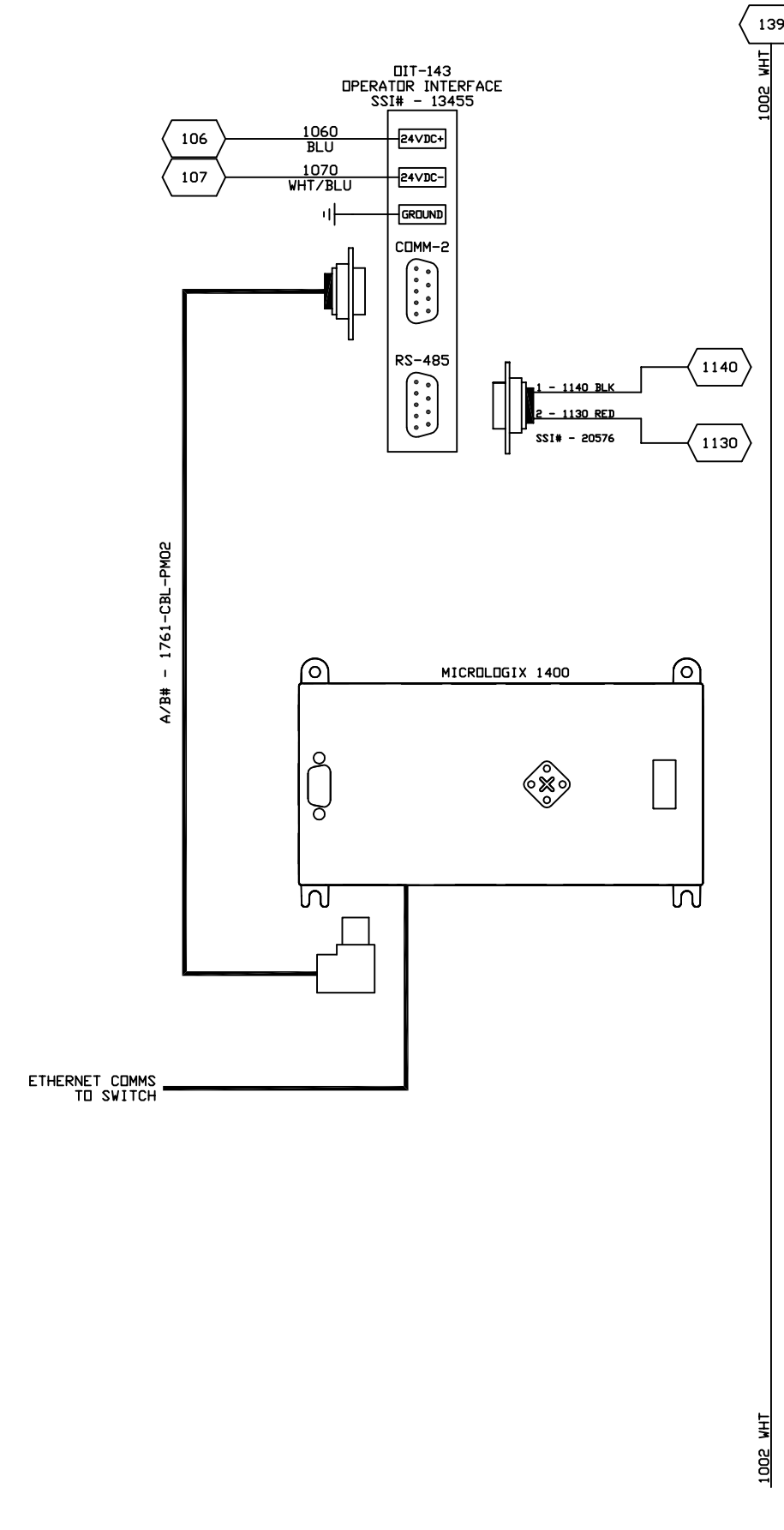
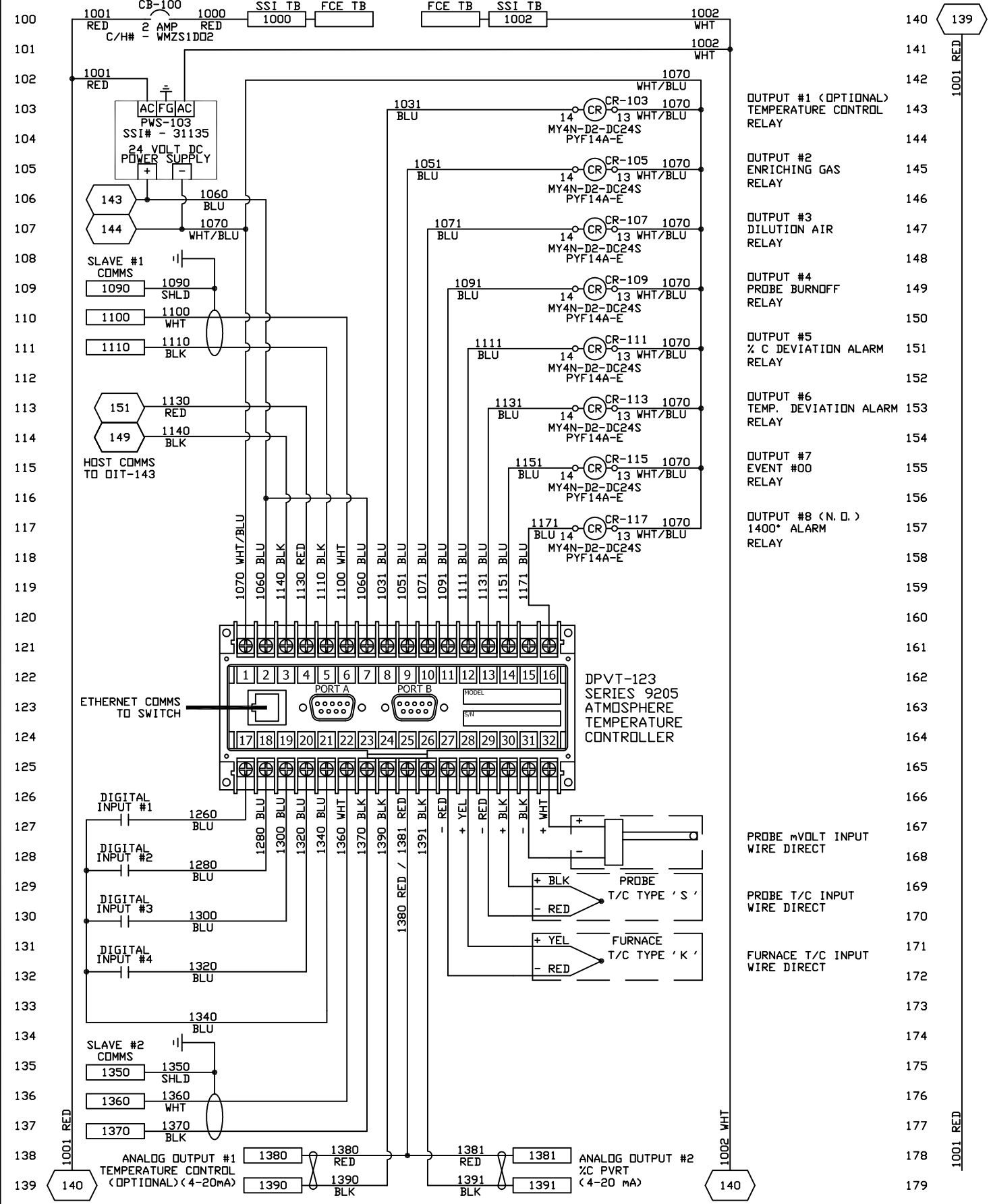


CUSTOMER'S  
120VAC,  
1 PHASE, 50/60HZ  
SUPPLY POWER



OR □  
DENOTES TERMINAL BLOCK

SUPER SYSTEMS INC.  
(800) 666-4330  
www.supersystems.com

1 - 24VDC (COM)	12 - RELAY OUT 5	22 - SLAVE 2 RS485 (+)
2 - 24VDC (+)	13 - RELAY OUT 6	23 - SLAVE 2 RS485 (-)
3 - RS485 RT (-)	14 - RELAY OUT 7	24 - 4-20mA OUT 1 (-)
4 - RS485 RT (+)	15 - RELAY OUT 8 NC	25 - 4-20mA OUT COM (+)
5 - SLAVE 1 RS485 (-)	16 - RELAY OUT 8 NO	26 - 4-20mA OUT 2 (-)
6 - SLAVE 1 RS485 (+)	17 - DIGITAL IN 1	27 - ANALOG IN 3 (-)
7 - RELAY COMMON	18 - DIGITAL IN 2	28 - ANALOG IN 3 (+)
8 - RELAY OUT 1	19 - DIGITAL IN 3	29 - ANALOG IN 2 (-)
9 - RELAY OUT 2	20 - DIGITAL IN 4	30 - ANALOG IN 2 (+)
10 - RELAY OUT 3	21 - DIGITAL IN COM	31 - ANALOG IN 1 (-)
11 - RELAY OUT 4		32 - ANALOG IN 1 (+)

9205 PINOUT LABEL

COMMS TO  
MICROLOGIX PLC  
(RS-232)

COMMS TO  
DPVT-123  
(RS-485)

REFERENCE DRAWING(S)  
THIS DRAWING IS FURNISHED AS A  
GUIDELINE ONLY.  
FINAL INSTALLATION DIAGRAMS  
ARE THE RESPONSIBILITY OF OTHERS.

REV.	DESCRIPTION	DRAWN	DATE	APPROVED
	SERIES 9205 ATMOS AND TEMP CONTROL SYSTEM - RS-485 COMMS TO 12.1' OIT AND COMPACT HMI BASIC WIRING DIAGRAM			
APPROVALS	DATE	DWG. NO.	E-01	REV.
DRAWN GDG	22 AUG 2013	DRAWINGS		
CHECKED CHKD	DATE CHKD	SCALE		
ISSUED	DATE ISSUED	1:1	SHEET 01 OF 01	

UNLESS OTHERWISE SPECIFIED  
DIMENSIONS ARE IN INCHES  
TOLERANCES ARE:  
FRACTIONS DECIMALS ANGLES  
±1/64" X.X=±0.100 ±0.5"  
X.XX=±0.010  
X.XXX=±0.001

NOTICE: THIS DRAWING AND THE INFORMATION HEREIN IS OWNED  
BY SUPER SYSTEMS, INC. (SSI). SSI RESERVES ALL RIGHTS  
INCLUDING TITLE, COPYRIGHT, PATENT RIGHTS AND THE RIGHT OF  
POSSESSION IN THE DRAWING AND ITS CONTENTS, EXCEPT AS  
AUTHORIZED BY SSI IN WRITING. ANY DISCLOSURE, REPRODUCTION,  
OR USE OF THIS DRAWING OR THE INFORMATION AND  
SPECIFICATIONS HEREIN IS STRICTLY PROHIBITED.

