

OR □
DENOTES TERMINAL BLOCK

SUPER SYSTEMS INC.
(800) 666-4330
www.supersystems.com

1 - 24VDC (COM)	12 - EVENT RELAY 4	22 - SLAVE 2 RS485 (+)
2 - 24VDC (+)	13 - EVENT RELAY 5	23 - SLAVE 2 RS485 (-)
3 - RS485 RT (-)	14 - EVENT RELAY 6	24 -
4 - RS485 RT (+)	15 - ALARM RELAY NC	25 -
5 - SLAVE 1 RS485 (-)	16 - ALARM RELAY NO	26 -
6 - SLAVE 1 RS485 (+)	17 - EVENT IN 0	27 -
7 - RELAY COMMON	18 - EVENT IN 1	28 -
8 - EVENT RELAY 0	19 - EVENT IN 2	29 -
9 - EVENT RELAY 1	20 - EVENT IN 3	30 -
10 - EVENT RELAY 2	21 - EVENT IN COM	31 -
11 - EVENT RELAY 3		32 -

SERIES 9010 PINDOUT

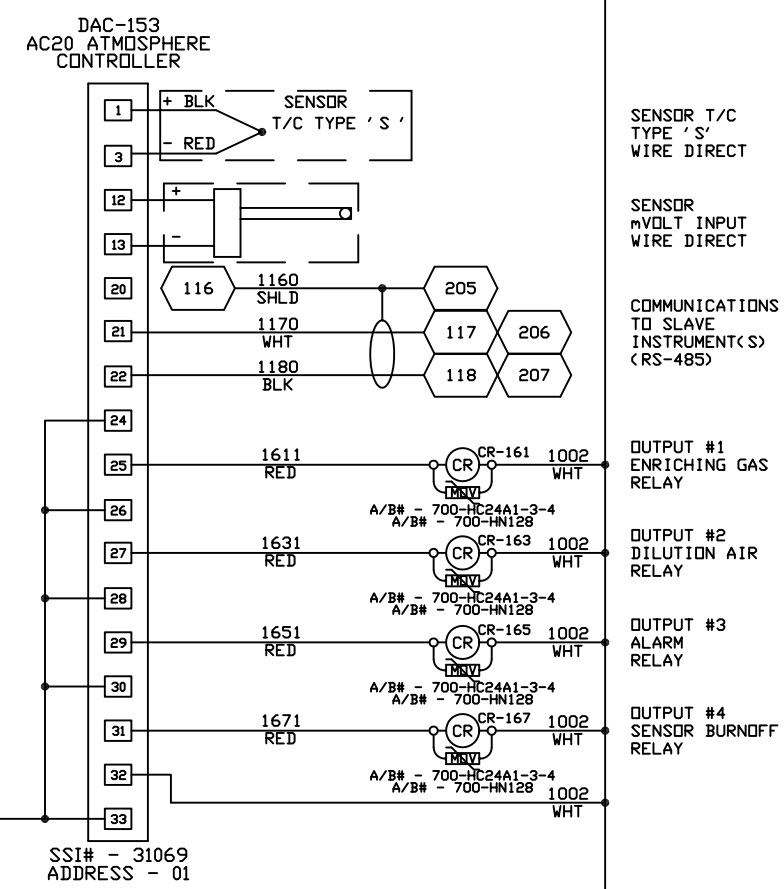
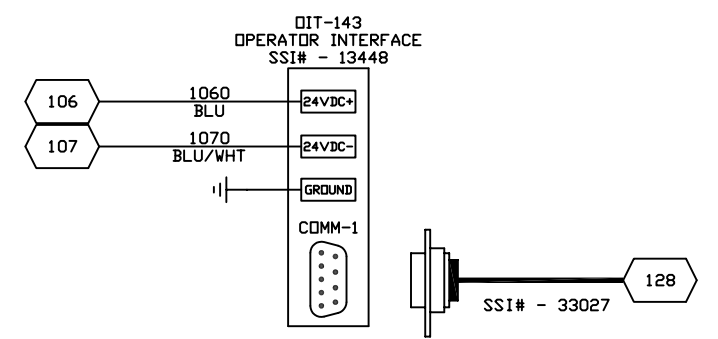
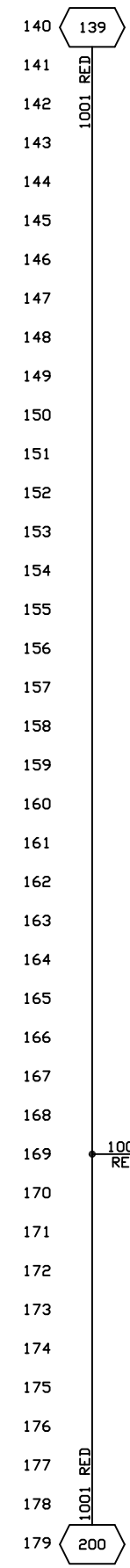
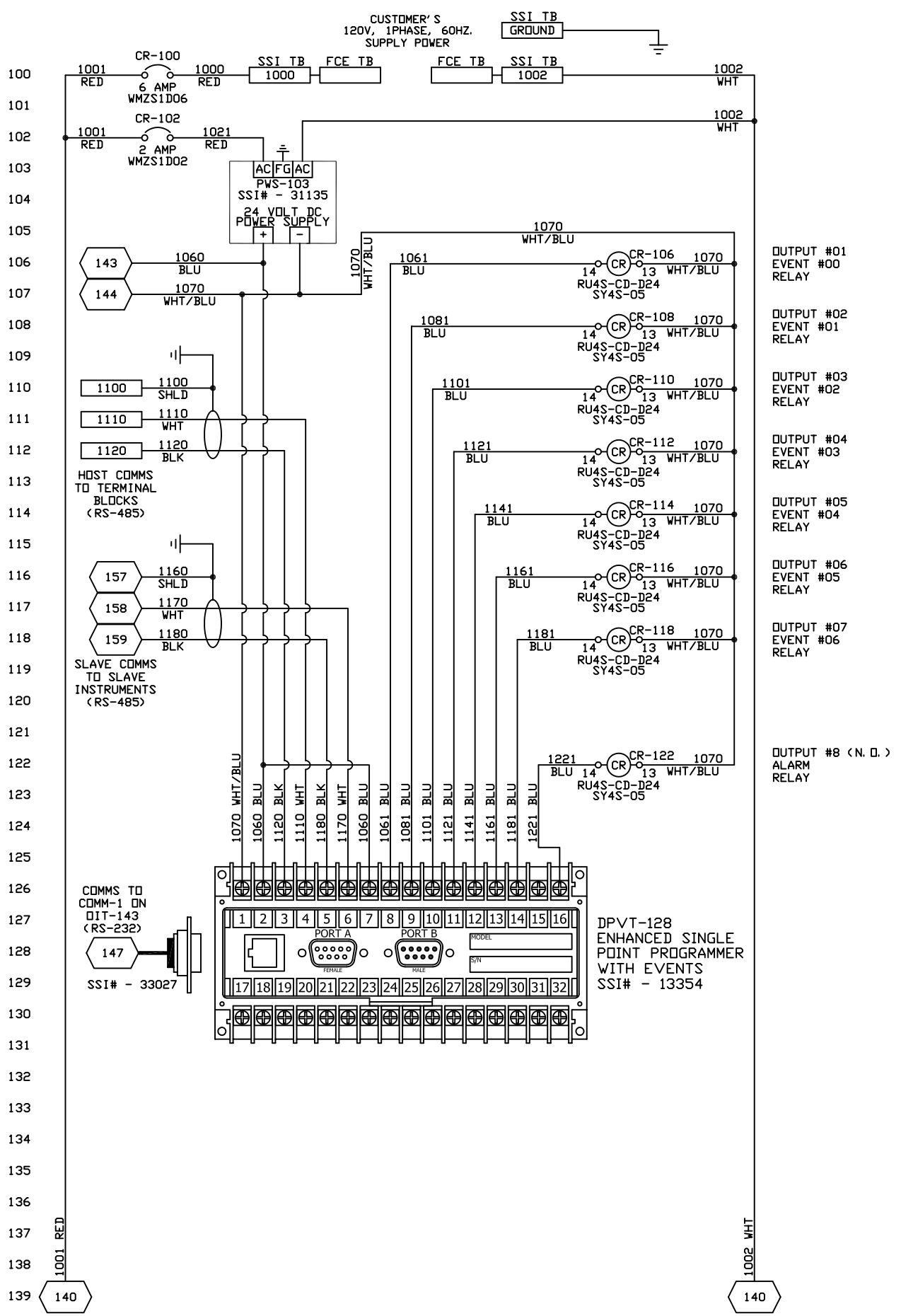
REFERENCE DRAWING(S)
THIS DRAWING IS FURNISHED AS A GUIDELINE ONLY. FINAL INSTALLATION DIAGRAMS ARE THE RESPONSIBILITY OF OTHERS.

REV.	DESCRIPTION	DRAWN	DATE	APPROVED
SERIES 9010 ATMOSPHERE & TEMPERATURE CONTROL SYSTEM BASIC WIRING DIAGRAM				
APPROVALS	DATE	DWG. NO.	REV.	
DRAWN GDG	10 JAN 2011	SHEET - 01		
CHECKED CHKD	DATE CHKD	DRAWINGS		
ISSUED	DATE ISSUED	SCALE 1:1	SHEET 01 OF 03	

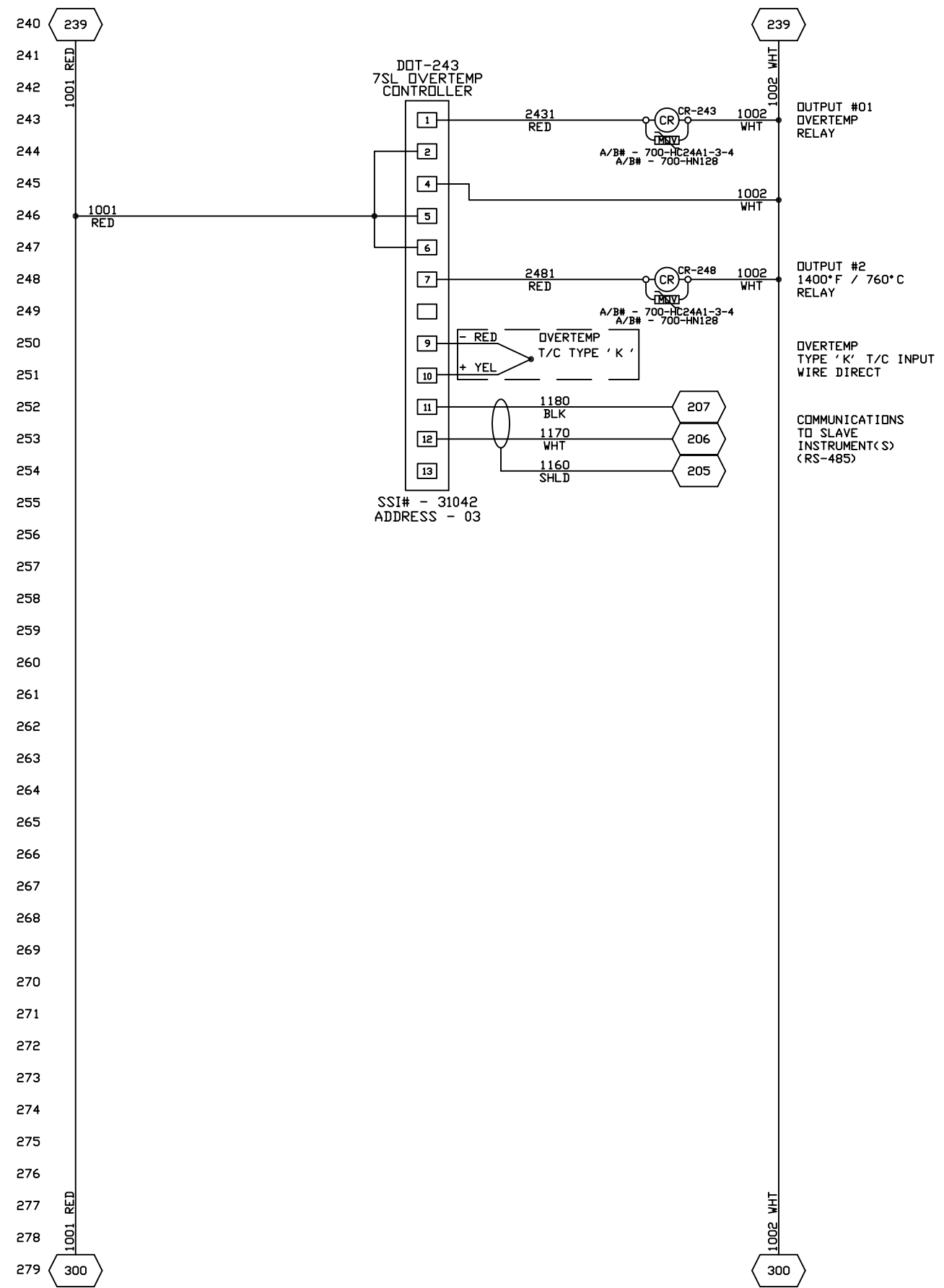
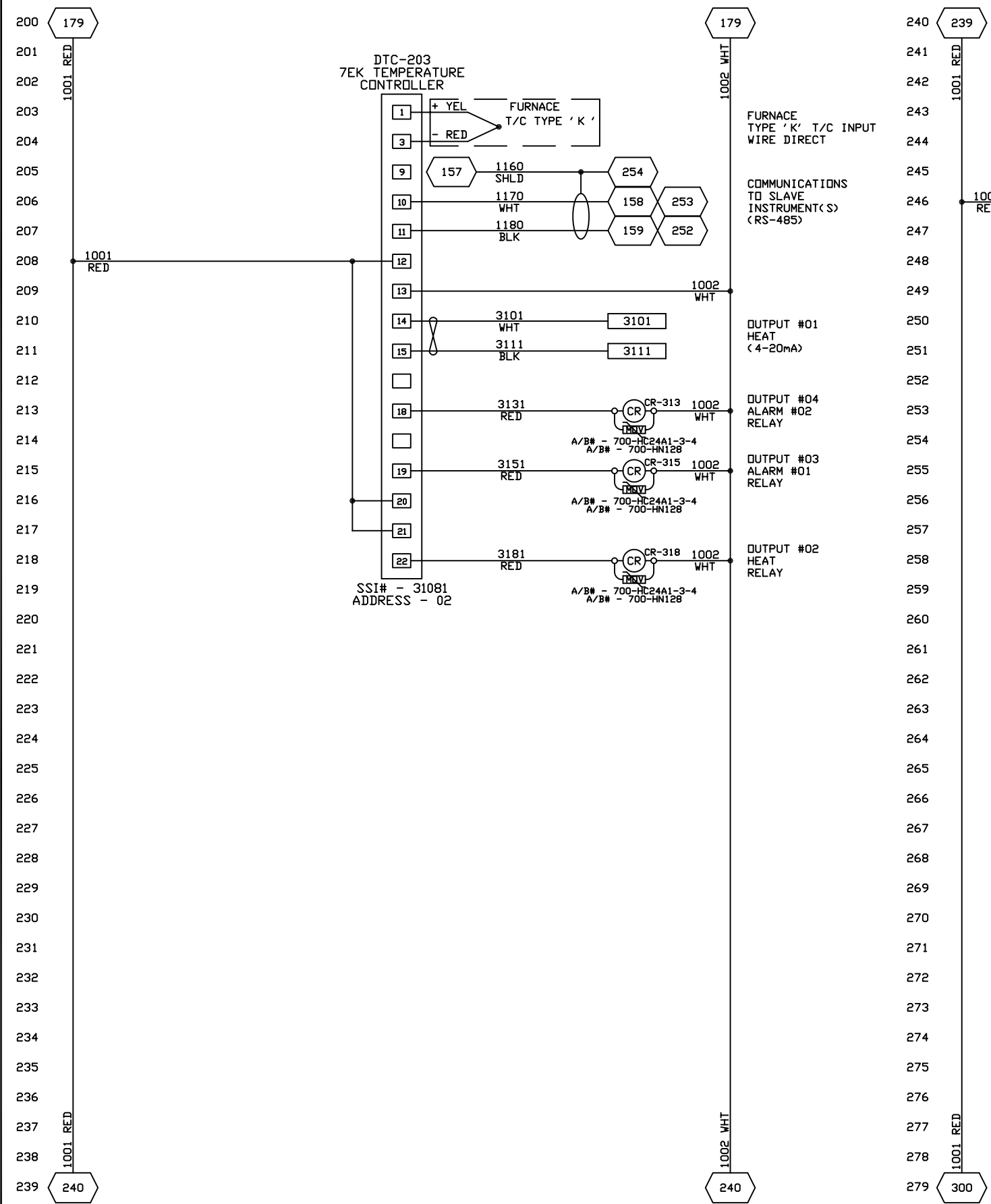
UNLESS OTHERWISE SPECIFIED DIMENSIONS ARE IN INCHES
TOLERANCES ARE:
FRACTIONS DECIMALS ANGLES
±1/64" X.X=±0.100 ±0.5"
X.XX=±0.010
X.XXX=±0.001

NOTICE: THIS DRAWING AND THE INFORMATION HEREIN IS OWNED BY SUPER SYSTEMS, INC. (SSI). SSI RESERVES ALL RIGHTS INCLUDING TITLE, COPYRIGHT, PATENT RIGHTS AND THE RIGHT OF POSSESSION IN THE DRAWING AND ITS CONTENTS, EXCEPT AS AUTHORIZED BY SSI IN WRITING. ANY DISCLOSURE, REPRODUCTION, OR USE OF THIS DRAWING OR THE INFORMATION AND SPECIFICATIONS HEREIN IS STRICTLY PROHIBITED.

SSI
CINCINNATI, OHIO



OR □
DENOTES TERMINAL BLOCK



REFERENCE DRAWING(S)
THIS DRAWING IS FURNISHED AS A GUIDELINE ONLY. FINAL INSTALLATION DIAGRAMS ARE THE RESPONSIBILITY OF OTHERS.

REV.	DESCRIPTION	DRAWN	DATE	APPROVED
SERIES 9010 ATMOSPHERE & TEMPERATURE CONTROL SYSTEM BASIC WIRING DIAGRAM				
APPROVALS	DATE	DWG. NO.	REV.	
DRAWN GDG	10 JAN 2011	SHEET - 02		
CHECKED CHKD	DATE CHKD	DRAWINGS\		
ISSUED	DATE ISSUED	SCALE 1:1	SHEET 02 OF 03	

UNLESS OTHERWISE SPECIFIED
DIMENSIONS ARE IN INCHES
TOLERANCES ARE:
FRACTIONS DECIMALS ANGLES
±1/64" X.X=±0.100 ±0.5"
X.XX=±0.010
X.XXX=±0.001

NOTICE: THIS DRAWING AND THE INFORMATION HEREIN IS OWNED BY SUPER SYSTEMS, INC. (SSI). SSI RESERVES ALL RIGHTS INCLUDING TITLE, COPYRIGHT, PATENT RIGHTS AND THE RIGHT OF POSSESSION IN THE DRAWING AND ITS CONTENTS, EXCEPT AS AUTHORIZED BY SSI IN WRITING. ANY DISCLOSURE, REPRODUCTION, OR USE OF THIS DRAWING OR THE INFORMATION AND SPECIFICATIONS HEREIN IS STRICTLY PROHIBITED.



OR
 DENOTES TERMINAL BLOCK

300 279
 1001 RED
 301
 302
 303
 304
 305
 306
 307
 308
 309
 310
 311
 312
 313
 314
 315
 316
 317
 318
 319
 320
 321
 322
 323
 324
 325
 326
 327
 328
 329
 330
 331
 332
 333
 334
 335
 336
 337
 338
 339 340
 1001 RED

INTENTIONALLY
 BLANK

300 279
 1002 WHIT
 301
 302
 303
 304
 305
 306
 307
 308
 309
 310
 311
 312
 313
 314
 315
 316
 317
 318
 319
 320
 321
 322
 323
 324
 325
 326
 327
 328
 329
 330
 331
 332
 333
 334
 335
 336
 337
 338
 339 340
 1002 WHIT

340 339
 1001 RED
 341
 342
 343
 344
 345
 346
 347
 348
 349
 350
 351
 352
 353
 354
 355
 356
 357
 358
 359
 360
 361
 362
 363
 364
 365
 366
 367
 368
 369
 370
 371
 372
 373
 374
 375
 376
 377
 378
 379

INTENTIONALLY
 BLANK

300 339
 1002 WHIT
 301
 302
 303
 304
 305
 306
 307
 308
 309
 310
 311
 312
 313
 314
 315
 316
 317
 318
 319
 320
 321
 322
 323
 324
 325
 326
 327
 328
 329
 330
 331
 332
 333
 334
 335
 336
 337
 338
 339

REFERENCE DRAWING(S)
 THIS DRAWING IS FURNISHED AS A
 GUIDELINE ONLY.
 FINAL INSTALLATION DIAGRAMS
 ARE THE RESPONSIBILITY OF OTHERS.

REV.	DESCRIPTION	DRAWN	DATE	APPROVED
SERIES 9010 ATMOSPHERE & TEMPERATURE CONTROL SYSTEM BASIC WIRING DIAGRAM				
APPROVALS	DATE	DWG. NO.	REV.	
DRAWN GDG	10 JAN 2011	SHEET - 03		
CHECKED CHKD	DATE CHKD	DRAWINGS\		
ISSUED	DATE ISSUED	SCALE 1:1	SHEET 03 OF 03	

UNLESS OTHERWISE SPECIFIED
 DIMENSIONS ARE IN INCHES
 TOLERANCES ARE:
 FRACTIONS ±1/64"
 DECIMALS X.X=±0.100
 ANGLES X.XX=±0.010
 X.XXX=±0.001

NOTICE: THIS DRAWING AND THE INFORMATION HEREIN IS OWNED
 BY SUPER SYSTEMS, INC. (SSI). SSI RESERVES ALL RIGHTS
 INCLUDING TITLE, COPYRIGHT, PATENT RIGHTS AND THE RIGHT OF
 POSSESSION IN THE DRAWING AND ITS CONTENTS, EXCEPT AS
 AUTHORIZED BY SSI IN WRITING. ANY DISCLOSURE, REPRODUCTION,
 OR USE OF THIS DRAWING OR THE INFORMATION AND
 SPECIFICATIONS HEREIN IS STRICTLY PROHIBITED.

